

**Power Tilt Only (PTO-STM)
Elevating Seat w/ PTO (ESS-PTO)
For
2G/3G Storm Series®
Powered Wheelchairs**



Parts Catalog Usage Guide

The information contained in this document is subject to change without notice. This catalog contains service parts for Form No. 01-038. If you have any questions regarding this catalog, please contact one of our Customer Service Representatives.

For Customer Service Support Call:

1-800-333-6900

For Faxed In Orders Call:

1-800-678-4682 or

1-440-366-0709

For Technical Service Call:

1-800-832-4707

Literature Can Be Found at:

www.invacare.com or

1-800-828-6272

SYMBOL DEFINITION

Throughout this catalog you will notice letters to draw your attention to specific footnotes which are located at the bottom of the page or below specified charts.

Examples:

A,B,C etc. = Special Comments

NOTE: = General information pertaining to that specific page

NLA = No Longer Available

HARDWARE MEASUREMENTS

The measurements for the hardware will be listed as follows:

Screws, Bolts Diameter X Thread Count/Pitch X Length

Washers Inside Diameter X Outside Diameter X Thickness

Spacers Inside Diameter X Outside Diameter X Length

For your convenience, we have supplied an area for you to list your Invacare Representatives.

Name	Phone Numbers

©2008 Invacare Corporation. Elyria, Ohio. Invacare, Yes, you can., Storm Series, the Blue Medallion Design and Tarsys are registered trademarks and MKIV is a trademark of Invacare Corporation.

TABLE of CONTENTS

Description	Page Number
A: READ THIS FIRST (THIS CATALOG IS DIFFERENT!)	5
Accessories, 22NF Battery Tray Lowered Adapter Plate	134
Accessories, Headrest Support Assembly (A.B.S. Curved Back)	130
Accessories, Headrest Support Assembly (For 14"-22" Wide ASBA and 16"-22" Wide ADJASBA Seats w/ Back Post Only Option)	132
Accessories, Lateral Support Assembly	135
Accessories, Power Wheelchair Tool Kit	140
Accessories, Seat/Chest Positioning Straps	138
Actuator Motor and Mounting Hardware	16
Arms, Adj. Height - (12-13" W x 12-15" D)/(14-15" W x 12-22" D) ASBA Seats	56
Arms, Adjustable Height - (16"-22" Wide) x (16"-22" Deep) Seat Frames	61
Arms, Fixed Height - (16"-22" Wide) x (16"-22" Deep) Seat Frames	58
Arms, Mounting Front/Rear Arm Socket Asbly. & Hdwr. For ADJASBA Seat (16"-22" Wide) (After 7/4/05)	65
Arms, Mounting Swingaway Hardware For ASBA and ADJASBA Seats	63
Back Cane and Attaching Hardware For ASBA Seats (12-15" Wide) & (16"-22" Wide Before 7/5/05)	32
Back Canes and Attaching Hardware For ADJASBA Seat (16"-22" Wide) (After 7/4/05)	35
Back, A.B.S. Curved Assembly	37
Back, A.B.S. Curved Mounting Hardware	44
Back, Contoura without Mounting Hardware	50
Back, Mounting Hardware, Contoura - ADJASBA Only	52
Electronics - MK6i ~PLEASE READ THIS SECTION~	114
Electronics - MK6i Switch, Drive Lockout Mercury	122

TABLE of CONTENTS

Description	Page Number
Electronics - MKIV Quad Pulse and GB Controller Mounting Hardware	128
Electronics - MKIV TAC Controller and 4-Way Switch without Elevating Seat	126
Electronics - Quad Link (QLA) After 10/30/05	118
Electronics - Quad Link Assembly Before 10/31/05	115
Electronics - Tilt Recline Single Switch (TRSS)	120
Elevating Seat Option - Electronics - MKIV TAC Controller and 4-Way Switch	124
Elevating Seat Option - Frame, Rear and Mounting Hardware	11
Elevating Seat Option - Seat Plate and Front Actuator Support Bracket	54
Frame, Rear and Mounting Hardware	9
Frame, Seat ADJASBA, Seat Pan & Hdwr. (16"-20" W x 16"-22" D) (After 7/4/05)	22
Frame, Seat ADJASBA, Seat Pan & Hdwr. (20"-22" W x 16"-22" D) (After 7/4/05)	24
Frame, Seat ASBA and Hardware (12"- 15" Wide)	18
Frame, Seat ASBA and Hardware (16"-22" Wide) (Before 7/5/05)	20
Frame, Seat Support and Mounting Hardware	13
Front Rigging - Adjustable Angle Footplates - AT5543	104
Front Rigging - Calf Pads and Attaching Hardware	88
Front Rigging - Flip-Up Footplates - AT5043	102
Front Rigging - Footrest and Legrest Accessories	110
Front Rigging - Footrest Support Assemblies	77
Front Rigging - Footrest Supports - P93M	96
Front Rigging - Footrest Supports - PW93	90

TABLE of CONTENTS

Description	Page Number
Front Rigging - Footrest Supports - PW93E	94
Front Rigging - Footrest Supports - PW93ST	92
Front Rigging - Front Rigging Hgr. Asbly., Pin/Sector Style, ASBA Seat (12-15" Wide) & (16-22" Wide Before 7/5/05)	73
Front Rigging - Front Rigging Hgr. Hdwr., Pin/Sector Style ADJASBA Seat (16"-22" Wide) (After 7/4/05)	75
Front Rigging - Legrest Release Handles and Ratchets	86
Front Rigging - Legrest Supports - AT5544	80
Front Rigging - Legrest Supports - P904A	82
Front Rigging - Legrests, Articulating - PAS4A/ PAL4A	84
Front Rigging - One Piece Wooden Footboard and Hardware - S1263	107
Front Rigging - Pivot/ Slide Tube and 1650, 1450, 1350 Aluminum Footplates	100
Front Rigging - Pivot/ Slide Tube and 1651 Composite Footplates	98
Front Rigging - Reference Chart	67
Packaging, Literature, Frame Finishes and Touch-Up Paint	6
Seat Cushion Assembly, Contoura - ADJASBA Only	49
Seat Pan and Mounting Hardware, For ASBA Seat (12-15" Wide) & (16-22" Wide Before 7/5/05)	46
Seat, ADJASBA Mounting Hardware (16"-22" Wide) (After 7/4/05)	30
Seat, ASBA Mounting Hardware (12"-15" Wide)	26
Seat, ASBA Mounting Hardware (16"-22" Wide) (Before 7/5/05)	28
Tilt Link and Front Support Bracket	14

A: READ THIS FIRST (THIS CATALOG IS DIFFERENT!)

Power Tilt Only (PTO-STM); Elevating Seat w/ PTO (ESS-PTO)
parts catalog information is now divided into two separate catalogs.

The Form Numbers and Cover Titles are listed below.

Form # 01-038

Power Tilt Only (PTO-STM)
Elevating Seat w/ PTO (ESS-PTO)*
For 2G/3G Storm Series®
Powered Wheelchairs

Form # 06-110

MK6i Electronics
(MK6i was introduced on or about 10/9/06)

Use both form numbers to order a “complete” Parts Catalog

* Elevating Seat w/ PTO Option (ESS-PTO) was discontinued 10/16/06

Packaging, Literature, Frame Finishes and Touch-Up Paint

Packaging and Literature

Seating System With Base

Item Number	Note	Part Number	Description	Quantity Per	
				Package	Assembly
	A,B	1030364	Carton, Cover	1	1
	A,C	1036028	Carton, Cover	1	1
	A	1015609-NLA	Bag, Poly (28" W x 44" D x 80" H)	1	1
	A,B	1030362	Carton, Tray	1	1
	A,C	1036027	Carton, Tray	1	1
	A	1134791	Manual, Owner's 3G Storm w/ MKIV Electronics	1	1
	A	1106647	Installation Manual, Power Tilt Only KIT	1	1
	A	See Chart	Frame Finishes and Touch-Up Paint For Front Riggings	1	1
	A	See Chart	Sparkle Frame Finishes	1	1

NOTE: A - Not Shown
 B - 12" W-20" W seating system
 C - 21" W-22" W seating system

NOTE: When adjusting or replacing parts, please refer to your Owner's Manual for assistance.

Frame Finishes and Touch-Up Paint For Front Riggings

Color Number	Part Number	Bottle Size	Color
02P	1031452	.6 oz	Pink Pearl
06P	1031454	.6 oz	Super Teal
08P	1031456	.6 oz	Deep Purple
17P	1046319	.6 oz	Cobalt Blue
22P	1033376	.6 oz	Anthracite
24P	1031450	.6 oz	Wet Black
29P	1031447	.6 oz	White
30P	N/A	N/A	Sunny Yellow
33P	1031455	.6 oz	Red
34P	1046327	.6 oz	Flat Black
60P	N/A	N/A	Silver Metallic
61P	1046321	.6 oz	Electric Red
62P	1046320	.6 oz	Electric Blue
64P	1046324	.6 oz	Metallic Blue
69P	1101320-NLA	.6 oz	Teflon Black
71P	N/A	N/A	Silver Vein
80P	1073892	.6 oz	Evergreen with Navy
81P	1073893	.6 oz	Dark Olive with Copper
82P	1073894	.6 oz	Fruit Punch with Fucshia
83P	1073895	.6 oz	Royal Blue with Grape
84P	1073896	.6 oz	Lavender
101P	1101325	.6 oz	Jeweled Green
102P	1101327	.6 oz	Denim Blue

Packaging, Literature, Frame Finishes and Touch-Up Paint

Frame Finishes and Touch-Up Paint For Front Riggings

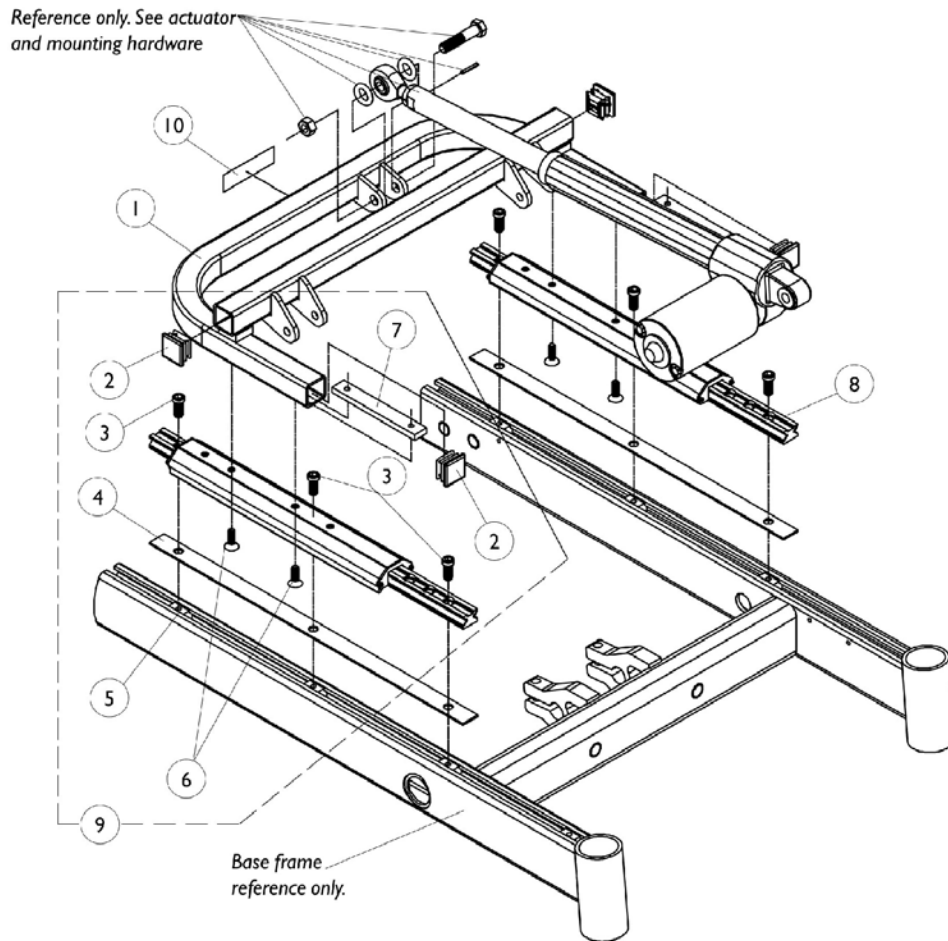
Color Number	Part Number	Bottle Size	Color
103P	1101324	.6 oz	Mocha Frost
104P	1101316	.6 oz	Electric Teal
105P	1101326	.6 oz	Midnight Blue
115P	N/A	N/A	Black Prism
116P	N/A	N/A	SunKissed Orange
117P	N/A	N/A	Tangerine Red
118P	N/A	N/A	Fruit Fusion
119P	N/A	N/A	Bubblegum Pink
120P	N/A	N/A	Grape Madness
121P	N/A	N/A	Lolly Pop Blue
122P	N/A	N/A	Cosmic Blue
123P	N/A	N/A	Celestial Purple
124P	N/A	N/A	Vivid Violet
125P	N/A	N/A	Emerald Green
126P	N/A	N/A	Shamrock Green
127P	N/A	N/A	Grasshopper Green

Packaging, Literature, Frame Finishes and Touch-Up Paint

Sparkle Frame Finishes

Color Number	Color
72P	Twilight Sparkle
73P	Gold Sparkle
74P	Green Sparkle
75P	Blue Sparkle
76P	Red Sparkle
88P	Wet Black with Twilight Sparkle

Rear Frame and Mounting Hardware



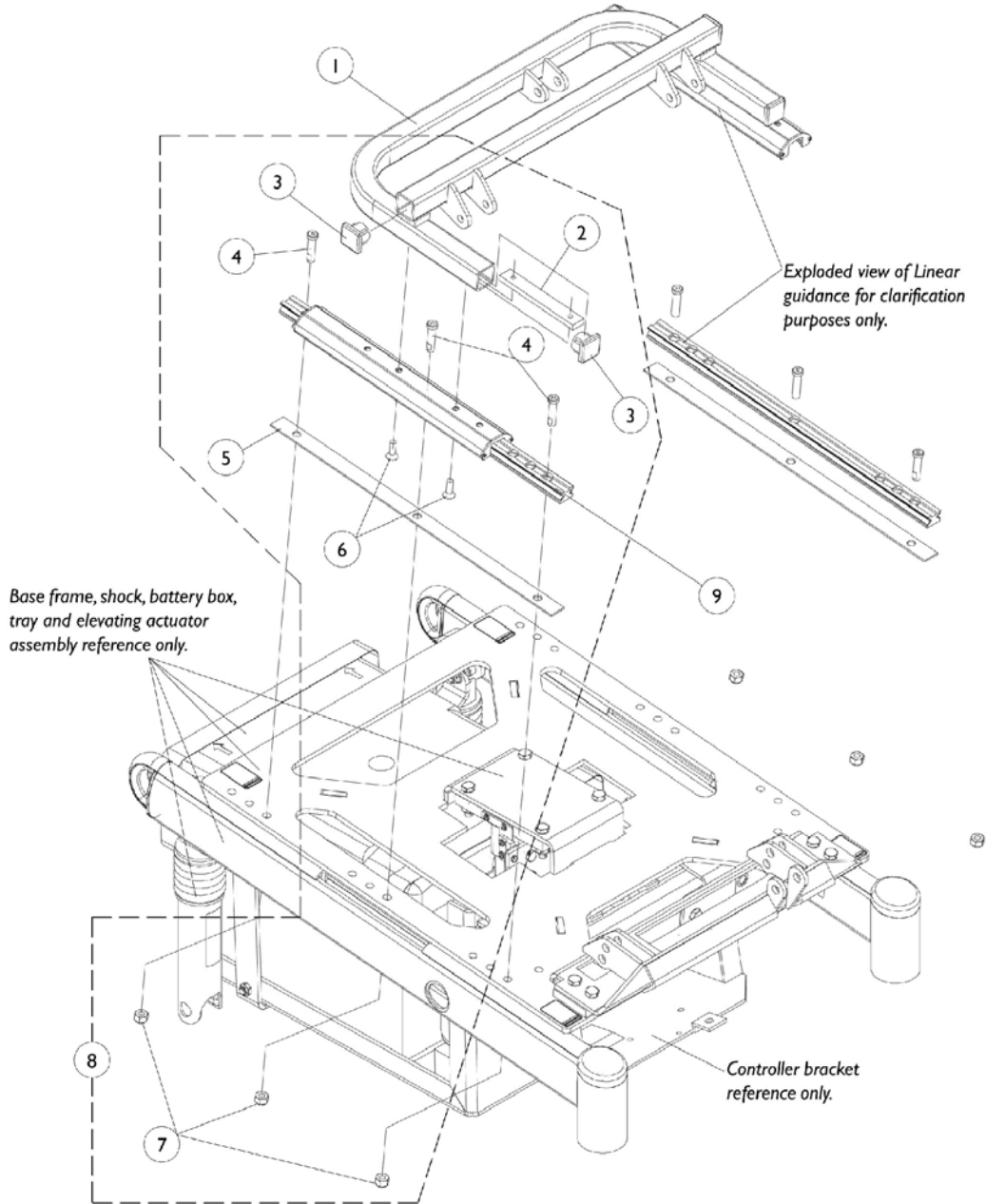
Rear Frame and Mounting Hardware

Item Number	Note	Part Number	Description	Quantity Per	
				Package	Assembly
1		1087632	Rear Frame Assembly w/o Decal	1	1
2		1071237	Plug Button, Square, Black (1")	1	4
3		1117326	Screw, Socket Head Cap w/ Patch (5/16-18 x 7/8")	1	6
4		1068114	Shim, Seat Slide Lower Extrusion	1	2
5		1069724	T-Nut (5/16-18)	1	7
6		1091869	Screw, Socket Flat Head C'sunk with Patch (1/4-20 x 3/4")	1	4
7		1087652	Bar, Clamp, Color	1	2
8		1087732	Linear Guidance	1	2
9	A	1106539	Hardware, Rear Frame Mounting	1	1
10		1087602	Decal, Invacare Power Tilt Only	1	1

NOTE: A - Less Linear Guidance (Includes items 2-7)

Rear Frame and Mounting Hardware For Elevating seat

NOTE: For 3rd Generation Storm Series Only. (ESS-PTO) Elevate w/ PTO was discontinued 10/16/06. After 10/15/06, refer to the Formula CG Powered Seating System Parts Catalog Form #06-106 for Elevate components on a 3G Storm Series.



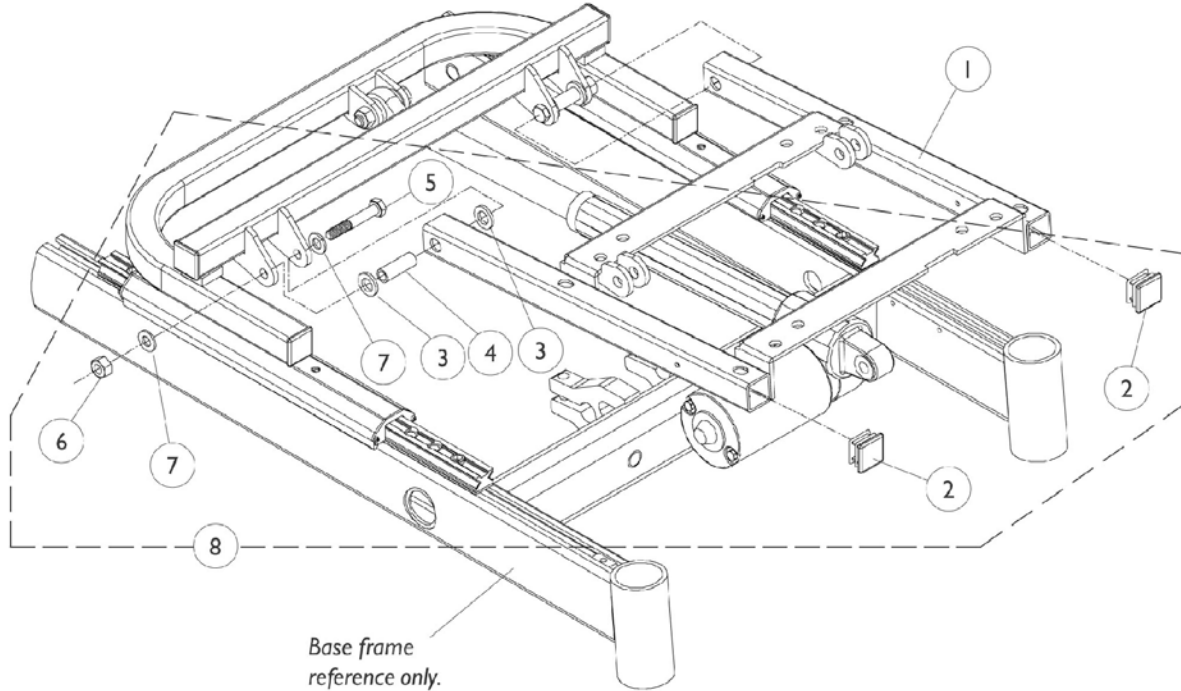
Rear Frame and Mounting Hardware For Elevating seat

NOTE: For 3rd Generation Storm Series Only. (ESS-PTO) Elevate w/ PTO was discontinued 10/16/06. After 10/15/06, refer to the Formula CG Powered Seating System Parts Catalog Form #06-106 for Elevate components on a 3G Storm Series.

Item Number	Note	Part Number	Description	Quantity Per	
				Package	Assembly
1		1087632	Rear Frame Assembly w/o Decal	1	1
2		1087652	Bar, Clamp, Color	1	2
3		1071237	Plug Button, Square, Black (1")	1	4
4		1108429	Screw, Socket Head Cap with Patch (5/16-18 x 1-1/4")	1	6
5		1068114	Shim, Seat Slide Lower Extrusion	1	2
6		1091869	Screw, Socket Flat Head C'sunk with Patch (1/4-20 x 3/4")	1	4
7		1026158	Locknut (5/16-18)	1	6
8	A	1109099	Hardware, Rear Frame Mounting (Pair)	2	1
9		1087732	Linear Guidance	1	2

NOTE: A - Less Linear Guidance (Pair) Includes items 2-7

Seat Frame Support and Mounting Hardware



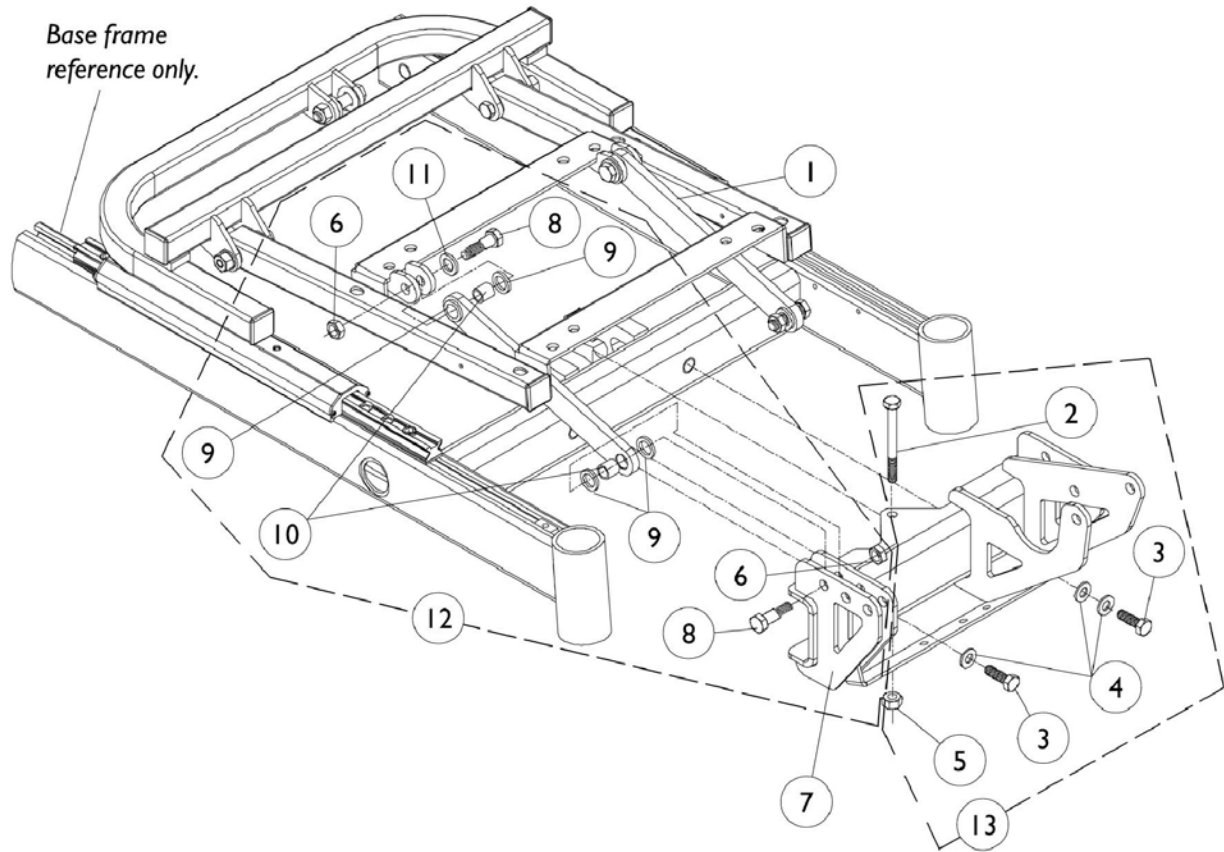
Item Number	Note	Part Number	Description	Quantity Per	
				Package	Assembly
1	B	1087626	Support, Seat Frame	1	1
1	C	1121053	Support, Seat Frame and Spacer Plate with Hardware	1	1
2		1071237	Plug Button, Square, Black (1")	1	2
3		0055800	Washer, Nylon (7/16 x 3/4 x 3/32")	1	4
4		0060300	Bushing, Bronze (5/16 x 7/16 x 1-1/4")	1	2
5		1070412	Screw, Hex Head (5/16-18 x 2-1/4")	1	2
6		1026158	Locknut (5/16-18)	1	2
7		1025704	Washer, Flat (5/16 x 5/8 x 1/16")	1	4
8	A	1106540	Hardware, Seat Frame Support Mounting	1	1

NOTE: A - Includes items 2-7
 B - Seat support frame revised 2/17/03 to accommodate a spacer plate for 12"-15" wide seat frames. For 12"-15" wide PTO models made before 2/17/03 order Item 1 part number 1121053. The revised support frame is still used for all 16"-22" wide PTO models.
 C - Used for 12"-15" wide PTO models made before 2/17/03. Spacer plate and hardware included. Spacer plate can be found on the A.S.B.A. Seat Mounting Hardware page.

Tilt Link and Front Support Bracket

NOTE: The front actuator support bracket for a power elevating seat is located under the seat plate assembly page.

NOTE: Tilt link mounting hardware is the same for a power tilt only and a power elevating seat.



Tilt Link and Front Support Bracket

NOTE: The front actuator support bracket for a power elevating seat is located under the seat plate assembly page.

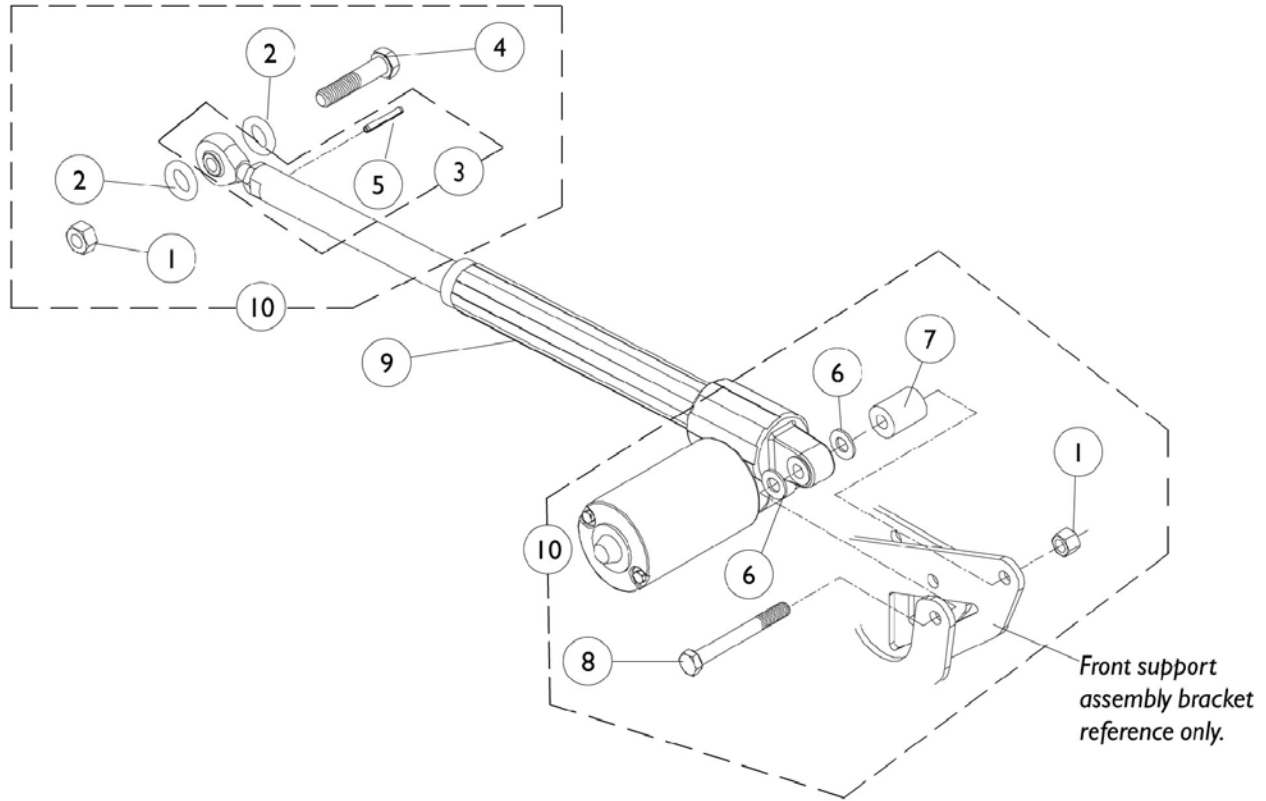
NOTE: Tilt link mounting hardware is the same for a power tilt only and a power elevating seat.

Item Number	Note	Part Number	Description	Quantity Per	
				Package	Assembly
1		1087634	Link, Tilt	1	2
2		0139806	Screw, Hex Head (5/16-18 x 3")	1	1
3		1104258	Screw, Hex Head Cap w/ Patch (5/16-18 x 1")	1	2
4		1023263	Washer, Internal Tooth (M8)	1	3
5		1026158	Locknut (5/16-18)	1	1
6		1028769	Locknut (5/16-18)	1	4
7		1087613	Bracket, Front Actuator Support (12"-16" D)	1	1
7		1087622	Bracket, Front Actuator Support (17"-19" D)	1	1
7		1087624	Bracket, Front Actuator Support (20"-22" D)	1	1
8		1107708	Screw, Socket Head Shoulder (3/8 x 3/4")	1	4
9		0139900	Washer, Nylon (1/2 x 3/4 x 3/32")	1	8
10		1087636	Bushing, Bronze (3/8 x 1/2 x 1/2")	1	4
11		20105X000	Washer, Flat (1/4 x 5/8 x 1/16")	1	2
12	A	1106541	Hardware, Tilt Link Mounting	1	1
13	B	1106542	Hardware, Front Actuator Support Bracket	1	1

NOTE: A - Includes items 6 and 8-11
B - Includes items 2-5

Actuator Motor and Mounting Hardware

NOTE: Elevating seat actuator can be found in parts catalog (Form # 00-191) Storm Series 3rd Gen. Arrow, Ranger X and Torque SP under Electronics/ Elevating Actuator, Switch Sensor and Hardware page.



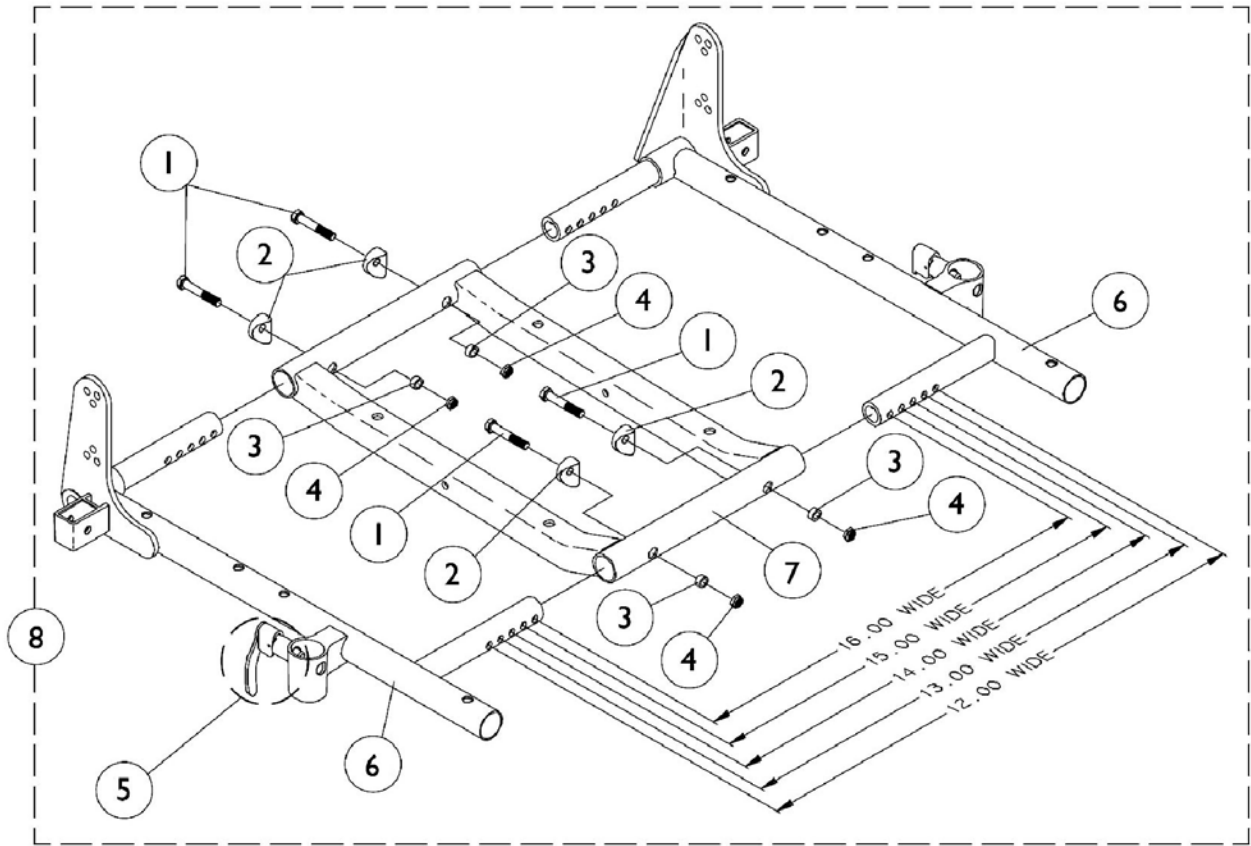
Actuator Motor and Mounting Hardware

NOTE: Elevating seat actuator can be found in parts catalog (Form # 00-191) Storm Series 3rd Gen. Arrow, Ranger X and Torque SP under Electronics/ Elevating Actuator, Switch Sensor and Hardware page.

Item Number	Note	Part Number	Description	Quantity Per	
				Package	Assembly
1		0054106	Locknut, High Profile (3/8-16)	1	1
2		0056000	O-Ring (1/2 x 7/8 x 3/16")	1	2
3		0313900	Rod End with Locknut and Roll Pin	1	1
4		0054606	Screw, Hex Head (3/8-16 x 2")	1	1
5		1028848	Roll Pin (1/8" x 7/8")	1	1
6		0053900	Washer, Nylon (3/8 x 13/16 x 1/16")	1	2
7		1087629	Spacer, Actuator (3/8 x 1/2 x 1-1/4")	1	1
8		0140206	Screw, Hex Head (3/8-16 x 3-1/2")	1	1
9	A	1154068	Kit, Actuator Motor, 6-1/2" Stroke	1	1
			Actuator Assembly, 6-1/2" Stroke	1	1
			Roll Pin (1/8" x 7/8")	1	1
			Instruction Sheet, PTO Actuator Installation	1	1
10	B	1106543	Hardware, Actuator Mounting	1	1

NOTE: A - Includes item 3, Actuator Motor & Instruction Sheet
 B - Includes items 1, 2, 4 and 6-8

ASBA Seat Frame and Hardware (12" - 15" Wide)



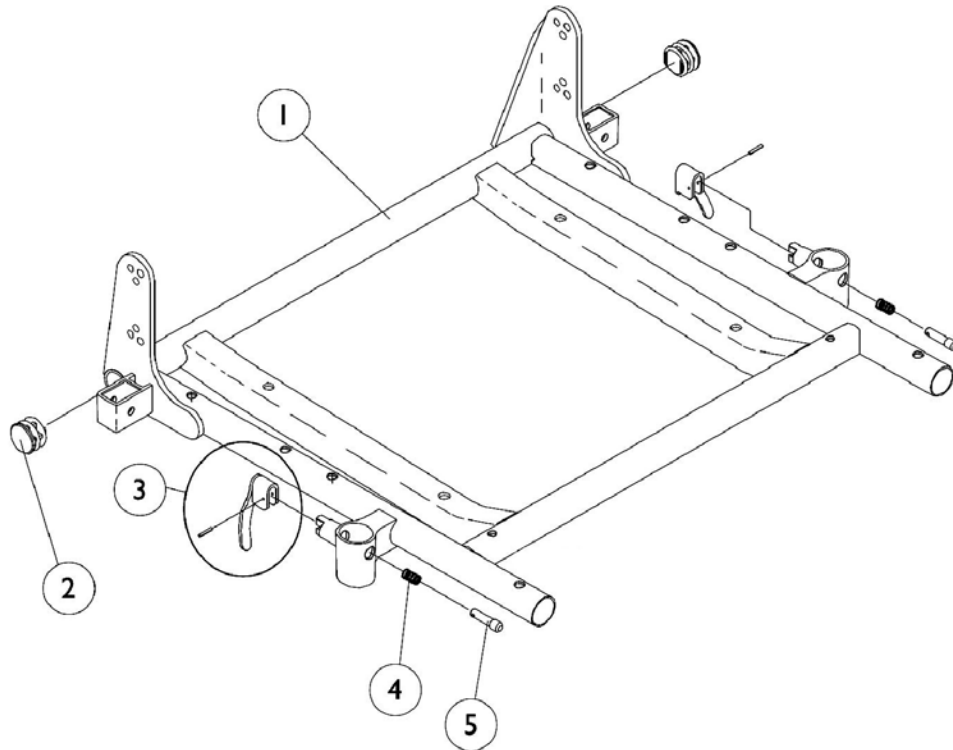
ASBA Seat Frame and Hardware (12"- 15" Wide)

Item Number	Note	Part Number	Description	Quantity Per	
				Package	Assembly
1		1037610	Screw, Hex Head (1/4-20 x 1-5/8")	1	4
2		1026099	Spacer, Coved (1/4 x 11/16 x 1/2")	1	4
3		1047449	Spacer (1/4 x 3/8 x 3/16")	1	4
4		1025736	Locknut (1/4-20)	1	4
5		47471X074	Spring, Arm Lock	1	1
5		1028594	Pin, Arm Lock	1	1
5		1090768	Kit, Lock Handle w/Rivets (both LT & RT side)	2	1
6-8		See Chart	#s 6-8 ASBA Seat Frame and Hardware	1	1

#s 6-8 Seat Frames

Item Number	Description	12"-13" W 12"-15" D	14"-15" W 12"-15" D	14"-15" W 16"-17" D	14"-15" W 18"-19" D	14"-15" W 20"-21" D	14"-15" W 22" D
6	Seat Frame Right See Note(s) A	1070473	1070473	1070473	1070526	1070528	1070530
6	Seat Frame Left See Note(s) A	1070474	1070474	1070474	1070527	1070529	1070531
7	Seat Frame Center	1070476	1070476	1070476	1070476	1070533	1070533
8	Seat Frame Assembly See Note(s) B	1070469	1070469	1070469	1070534	1070535	1070536
NOTE: A - Seat frame includes item 5 arm lock assembly. B - Includes items 1-7							

ASBA Seat Frame and Hardware (16"-22" Wide) (Before 7/5/05)



ASBA Seat Frame and Hardware (16"-22" Wide) (Before 7/5/05)

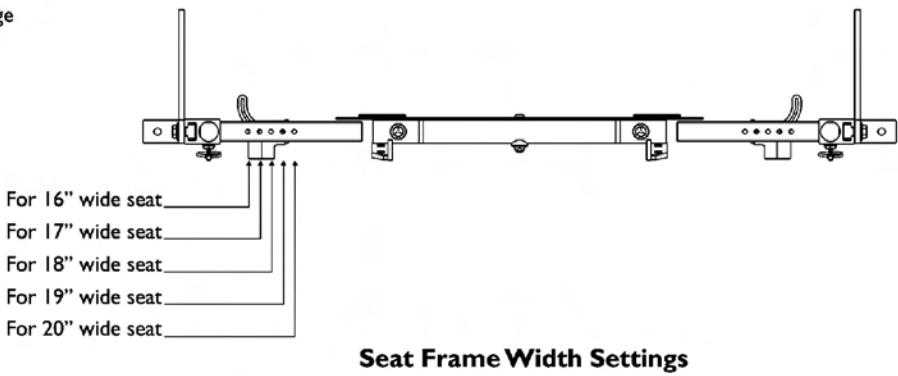
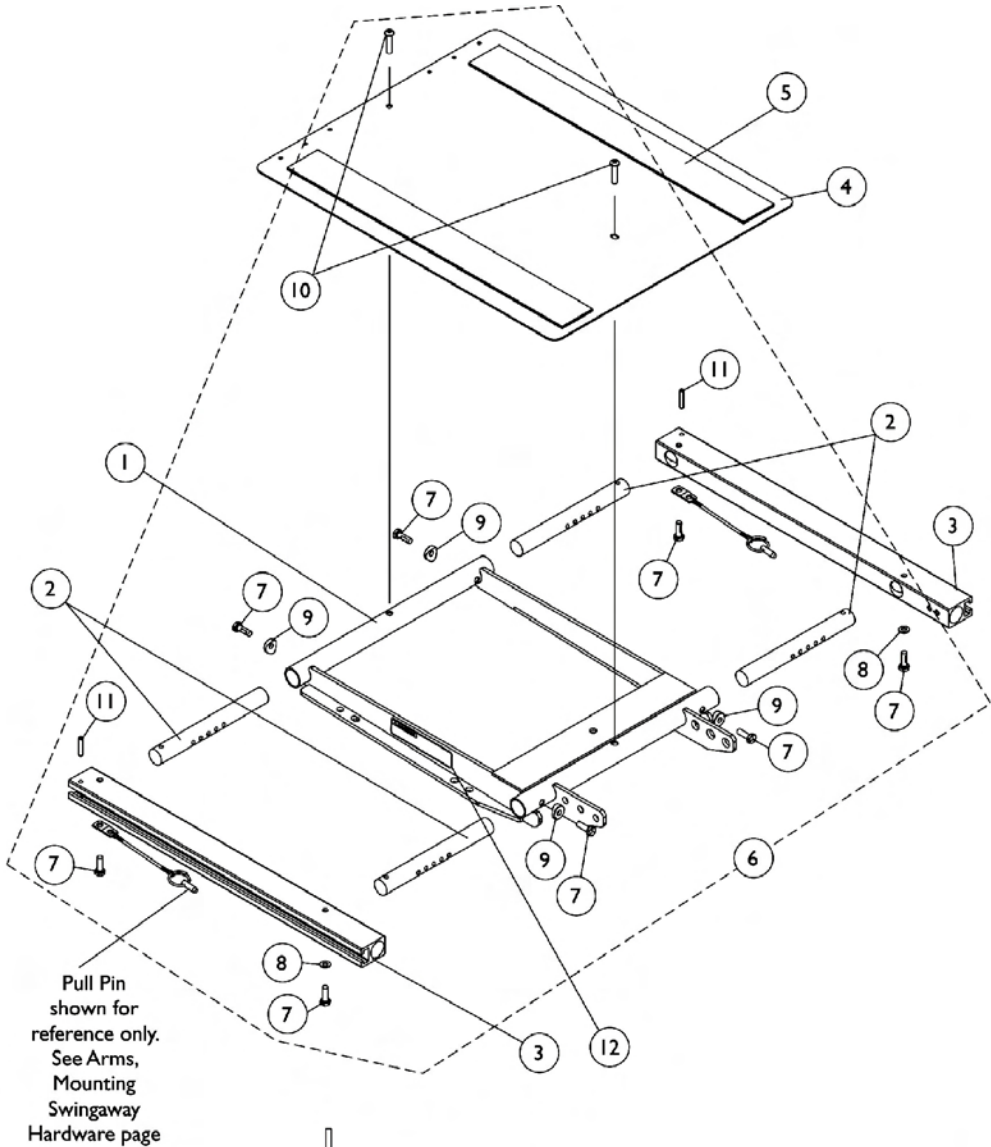
#1 Seat Frame with Hardware

Seat Width	16"-17" Deep	18"-19" Deep	20"-21" Deep	22" Deep
16" Wide	1070672	1070681	1070690	1070699
17" Wide	1070673	1070682	1070691	1070700
18" Wide	1070674	1070683	1070692	1070701
19" Wide	1070675	1070684	1070693	1070702
20" Wide	1070676	1070685	1070694	1070703
21" Wide	1070677	1070686	1070695	1070704
22" Wide	1070678	1070687	1070696	1070705

Item Number	Note	Part Number	Description	Quantity Per	
				Package	Assembly
1	A	See Chart	#1 Seat Frame with Hardware	1	1
2		1029501	Plug Button, Black (1")	1	2
3		1090768	Kit, Lock Handle w/Rivets (both LT & RT side)	2	1
4		47471X074	Spring, Arm Lock	1	2
5		1028594	Pin, Arm Lock	1	2

NOTE: A - Includes seat frame and items 2-5

ADJASBA Seat Frame, Seat Pan and Hardware (16"-20" Wide) x (16"-22" Deep) (After 7/4/05)

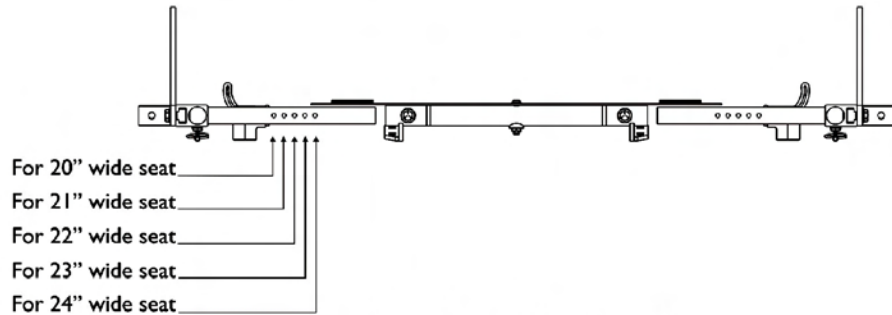
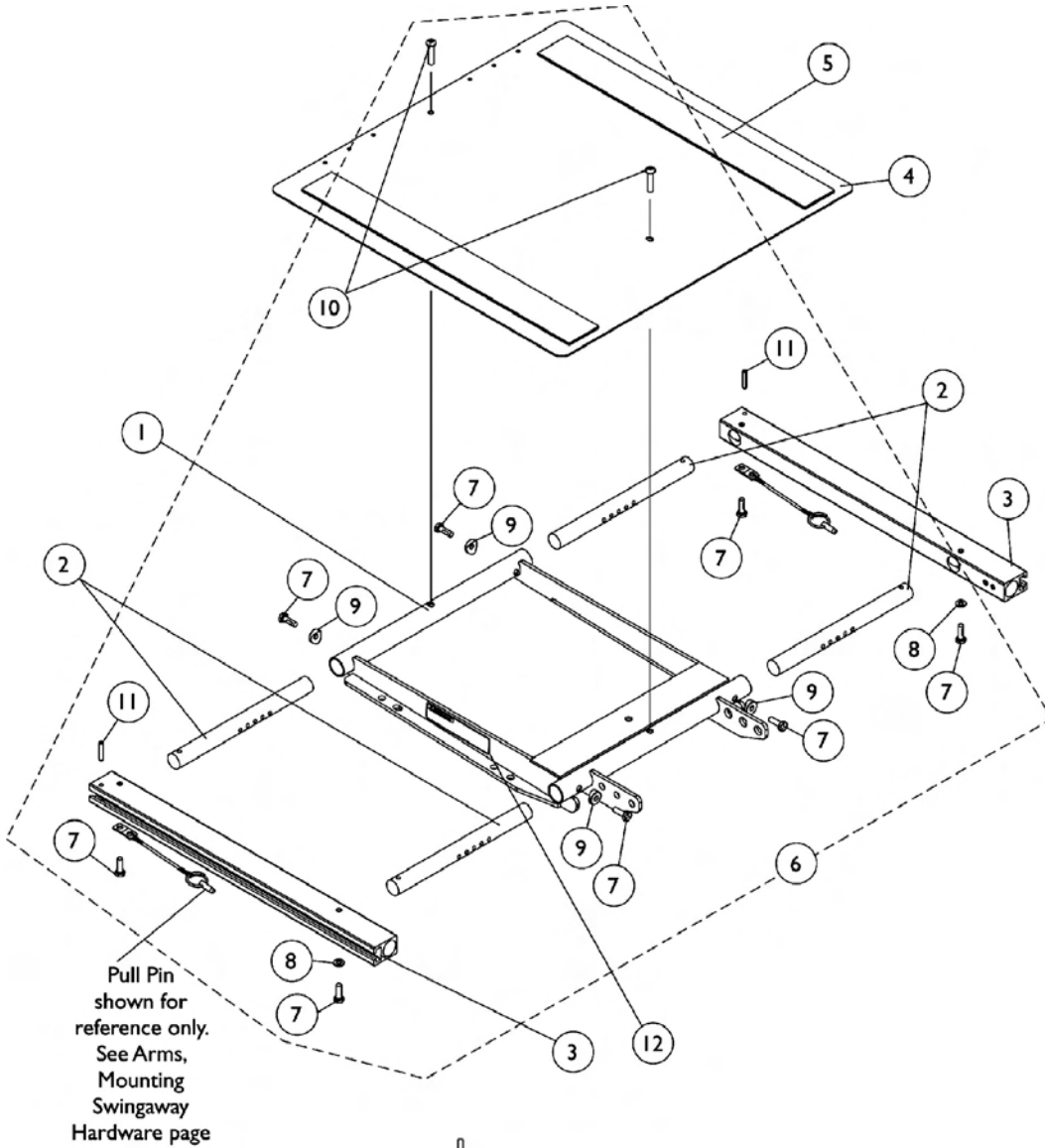


ADJASBA Seat Frame, Seat Pan and Hardware (16"-20" Wide) x (16"-22" Deep) (After 7/4/05)

Item Number	Note	Part Number	Description	Quantity Per	
				Package	Assembly
1	D	1120288	Frame, Center Seat	1	1
2		1122475	Crossbar, Seat Frame (16"-20" Wide)	1	4
3		1122647	Rail, Seat Frame (16-20" Deep For Formula TRE & 16-19" Deep For ADJASBA)	1	2
3		1122677	Rail, Seat Frame (20-22" Deep For Formula TRE & 19-22" Deep For ADJASBA)	1	2
4		1124386	Seat Pan w/ Hook and Loop Fasteners 16-20" Wide x (16-20" Deep For Formula TRE & 16-19" Deep For ADJASBA)	1	1
4		1124666	Seat Pan w/ Hook and Loop Fasteners 16-20" Wide x (20-22" Deep For Formula TRE & 19-22" Deep For ADJASBA)	1	1
5	A	1043082	Hook Fastener, Adhesive (2" x 18")	1	2
5	A	1044580	Loop Fastener, Adhesive (2" x 18")	1	2
5	B	1043084	Hook Fastener, Adhesive (2" x 22")	1	2
5	B	1044584	Loop Fastener, Adhesive (2" x 22")	1	2
6	C	1135501	Kit, Seat Frame Assembly Hardware	1	1
7			Screw, Hex Head (1/4-20 x 3/4")	1	8
8			Washer (1/4 x 1/2 x 1/16")	1	2
9			Spacer, Coved (1/4 x 11/16 x 1/2")	1	4
10			Screw, Socket Head (1/4-20 x 3/4")	1	2
11			Pin, Roll (3/16 x 1")	1	2
12		1114823	Decal, Seat Adjustment Warning	1	2
NOTE: A - For 16"-19" deep seats B - For 19"-22" deep seats C - Includes items 7-11 D - When ordering Center Seat Frame (item 1), also order 2 ea. Seat Adjustment Warning Decal (item 12).					

ADJASBA Seat Frame, Seat Pan and Hardware (20"-22" Wide) x (16"-22" Deep) (After 7/4/05)

Note: 23" and 24" wide settings are not used with a Power Tilt Only



Seat Frame Width Settings

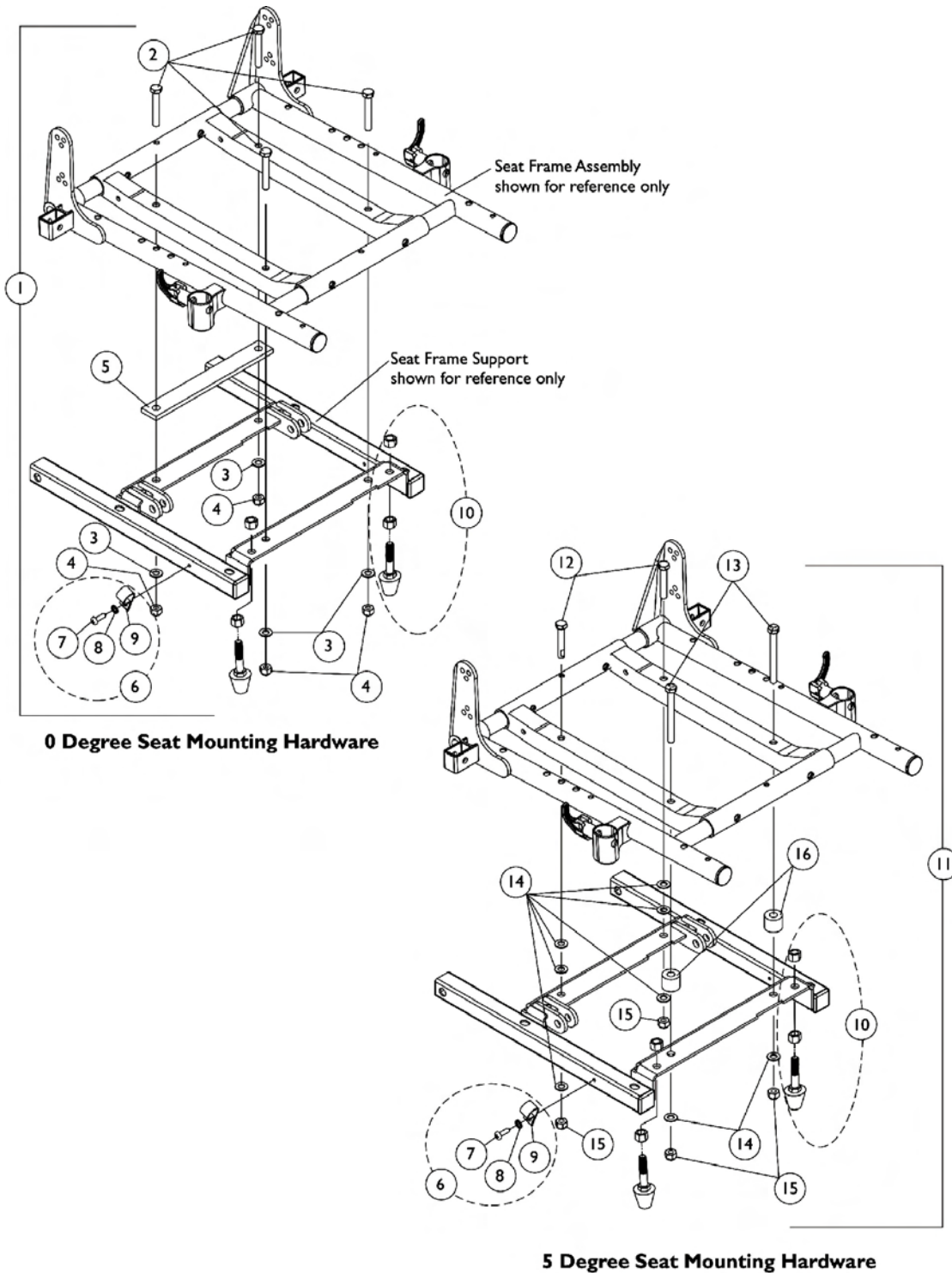
ADJASBA Seat Frame, Seat Pan and Hardware (20"-22" Wide) x (16"-22" Deep) (After 7/4/05)

Note: 23" and 24" wide settings are not used with a Power Tilt Only

Item Number	Note	Part Number	Description	Quantity Per	
				Package	Assembly
1	D	1120288	Frame, Center Seat	1	1
2		1120283	Crossbar, Seat Frame (20"-24" Wide)	1	4
3		1122647	Rail, Seat Frame (16-20" Deep For Formula TRE & 16-19" Deep For ADJASBA)	1	2
3		1122677	Rail, Seat Frame (20-22" Deep For Formula TRE & 19-22" Deep For ADJASBA)	1	2
4		1124388	Seat Pan w/ Hook and Loop Fasteners 20-24" Wide x (16-20" Deep For Formula TRE & 16-19" Deep For ADJASBA)	1	1
4		1124667	Seat Pan w/ Hook and Loop Fasteners 20-24" Wide x (20-22" Deep For Formula TRE & 19-22" Deep For ADJASBA)	1	1
5	A	1043082	Hook Fastener, Adhesive (2" x 18")	1	2
5	A	1044580	Loop Fastener, Adhesive (2" x 18")	1	2
5	B	1043084	Hook Fastener, Adhesive (2" x 22")	1	2
5	B	1044584	Loop Fastener, Adhesive (2" x 22")	1	2
6	C	1135501	Kit, Seat Frame Assembly Hardware	1	1
7			Screw, Hex Head (1/4-20 x 3/4")	1	8
8			Washer (1/4 x 1/2 x 1/16")	1	2
9			Spacer, Coved (1/4 x 11/16 x 1/2")	1	4
10			Screw, Socket Head (1/4-20 x 3/4")	1	2
11			Pin, Roll (3/16 x 1")	1	2
12		1114823	Decal, Seat Adjustment Warning	1	2

NOTE: A - For 16"-19" deep seats
 B - For 19"-22" deep seats
 C - Includes items 7-11
 D - When ordering Center Seat Frame (item 1), also order 2 ea. Seat Adjustment Warning Decal (item 12).

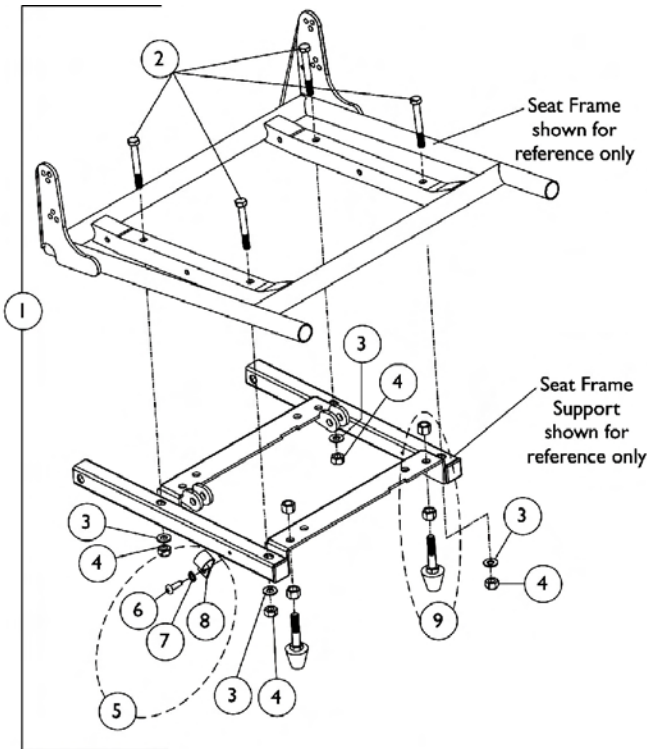
ASBA Seat Mounting Hardware (12"-15" Wide)



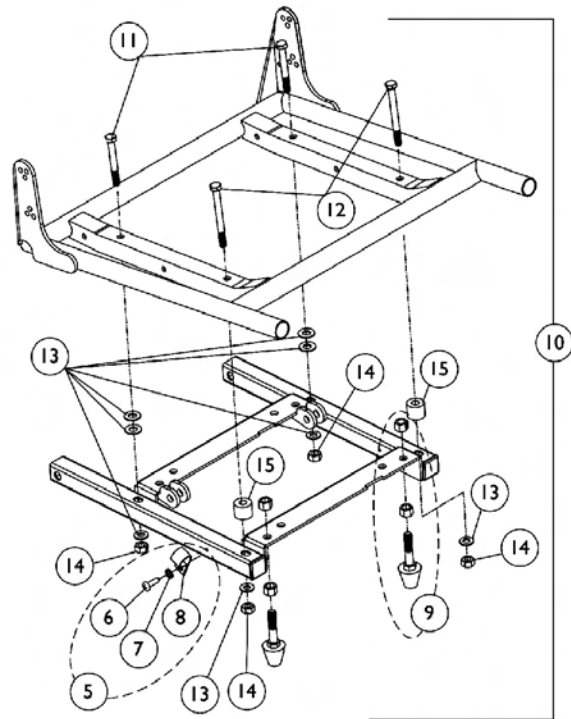
ASBA Seat Mounting Hardware (12"-15" Wide)

Item Number	Note	Part Number	Description	Quantity Per	
				Package	Assembly
1	A	1121054	Kit, 0 Degree 12-15 Wide ASBA Seat Mounting Hardware	1	1
2			Screw, Hex Head Cap with Patch (5/16-18 x 1-3/4")	1	4
3			Washer, Flat (5/16 x 5/8 x 1/16")	1	4
4			Locknut (5/16-18)	1	4
1	B	1107308	Kit, 0 Degree (12-15 Wide ASBA) & (12-16 Wide ADJASBA) Seat Mounting Hardware	1	1
2			Screw, Hex Head (5/16-18 x 2")	1	4
3			Washer, Flat (5/16 x 5/8 x 1/16")	1	4
4			Locknut (5/16-18)	1	4
5			Plate, Spacer	1	1
6	C	1106544	Kit, Switch Clip with Mounting Hardware	1	1
7			Bracket, Cable/Wire Mount	1	1
8			Screw, Phillips Self-Tapping (#10-32 x 3/4")	1	1
9			Lockwasher, External Tooth (#10)	1	1
10		1111007	Bumper Assembly with Mounting Hardware (Pair)	2	1
11	D	1088014	Kit, 5 Degree (12-15" Wide ASBA) & (12-16" Wide ADJASBA) Seat Mounting Hardware	1	1
12			Screw, Hex Head Cap with Patch (5/16-18 x 1-3/4")	1	2
13			Screw, Hex Head (5/16-18 x 3")	1	2
14			Washer, Flat (5/16 x 5/8 x 1/16")	1	8
15			Locknut (5/16-18)	1	4
16			Spacer (3/8 x 7/8 x 11/16")	1	2
<p>NOTE: A - Hardware Before 2/17/03 and includes items 2-4. A Spacer Plate was added after 2/16/03. When a new Seat Frame Support is needed, Seat Mounting Hardware dated after 2/16/03 must be ordered.</p> <p>B - Hardware After 2/16/03 and includes items 2-5</p> <p>C - Includes items 7-9</p> <p>D - Includes items 12-16</p>					

ASBA Seat Mounting Hardware (16"-22" Wide) (Before 7/5/05)



0 Degree Seat Mounting Hardware

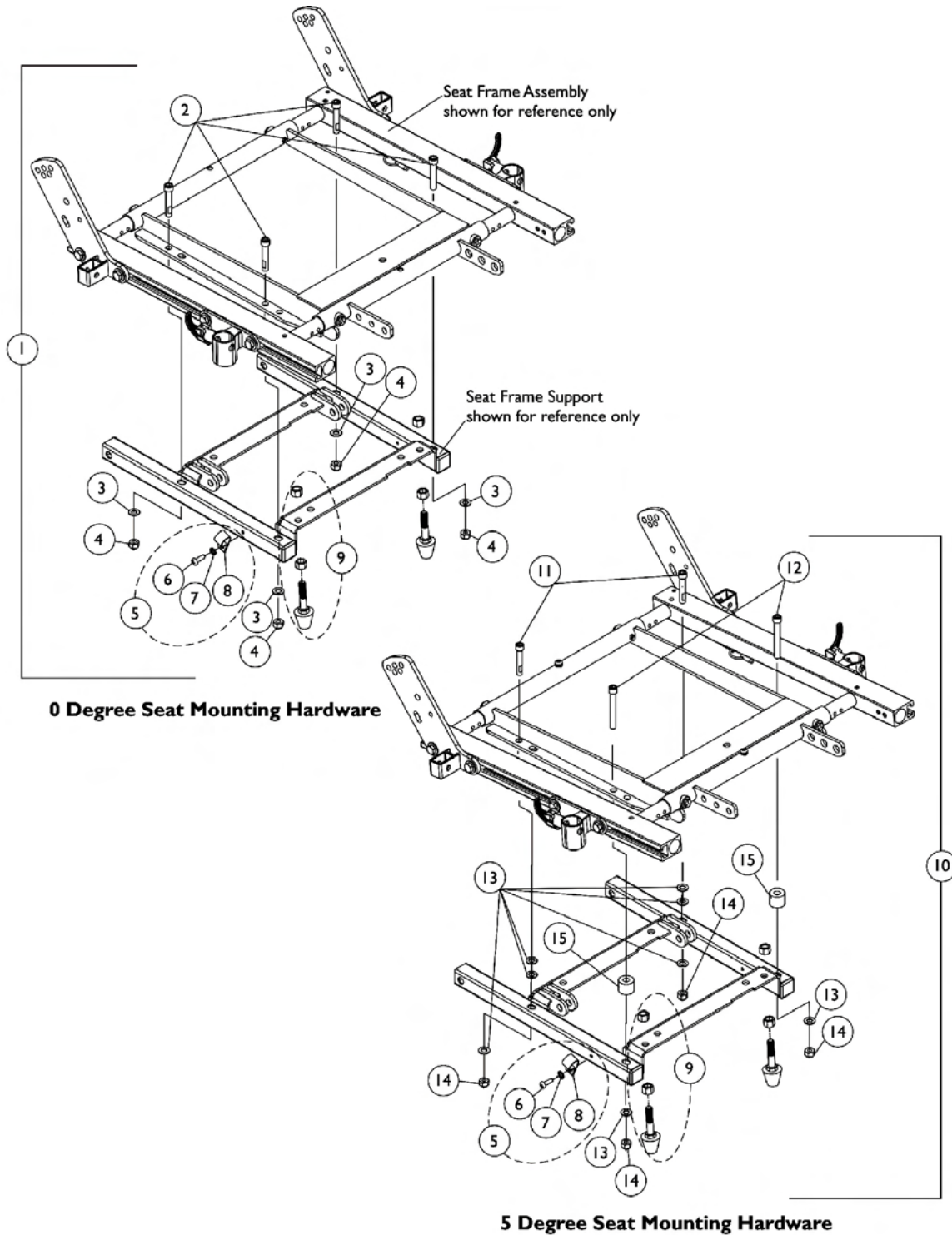


5 Degree Seat Mounting Hardware

ASBA Seat Mounting Hardware (16"-22" Wide) (Before 7/5/05)

Item Number	Note	Part Number	Description	Quantity Per	
				Package	Assembly
1	A	1107307	Kit, 0 Degree 16-22" Wide ASBA Seat Mounting Hardware	1	1
2			Screw, Hex Head (5/16-18 x 2-3/4")	1	4
3			Washer, Flat (5/16 x 5/8 x 1/16")	1	4
4			Locknut (5/16-18)	1	4
5	B	1106544	Kit, Switch Clip with Mounting Hardware	2	1
6			Bracket, Cable/Wire Mount	1	1
7			Screw, Phillips Self-Tapping (#10-32 x 3/4")	1	1
8			Lockwasher, External Tooth (#10)	1	1
9		1111007	Bumper Assembly with Mounting Hardware (Pair)	2	1
10	C	1087784	Kit, 5 Degree 16-22" Wide ASBA Seat Mounting Hardware	1	1
11			Screw, Hex Head (5/16-18 x 2-3/4")	1	2
12			Screw, Hex Head (5/16-18 x 3-1/4")	1	2
13			Washer, Flat (5/16 x 5/8 x 1/16")	1	8
14			Locknut (5/16-18)	1	4
15			Spacer (3/8 x 7/8 x 11/16")	1	2
NOTE: A - Includes items 2-4 B - Includes items 6-8 C - Includes items 11-15					

ADJASBA Seat Mounting Hardware (16"-22" Wide) (After 7/4/05)

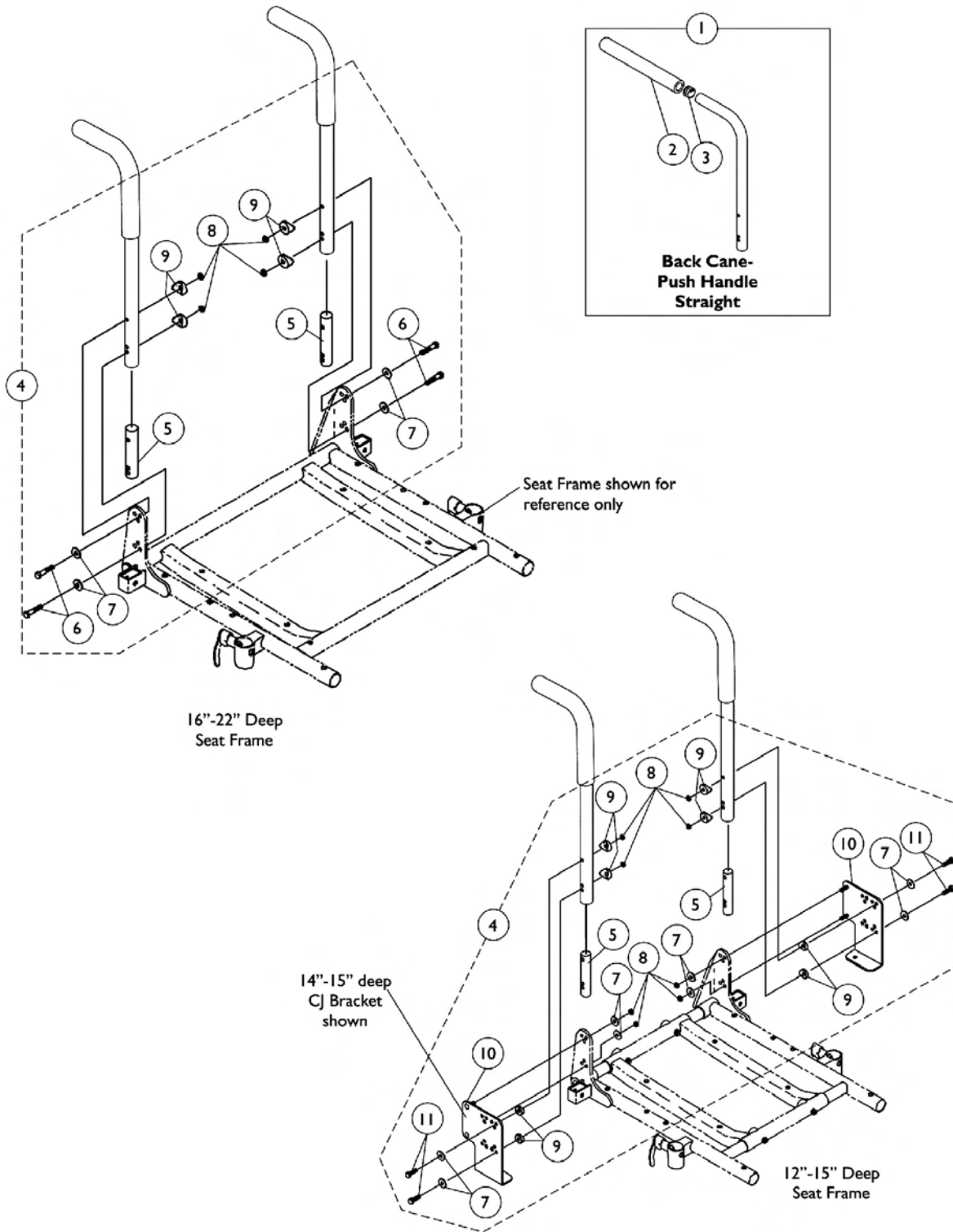


ADJASBA Seat Mounting Hardware (16"-22" Wide) (After 7/4/05)

Item Number	Note	Part Number	Description	Quantity Per	
				Package	Assembly
1	A	1134497	Kit, 0 Degree 16-22" Wide ADJASBA Seat Mounting Hardware	1	1
2			Screw, Socket Head Cap with Patch (5/16-18 x 1-3/4")	1	4
3			Washer, Flat (5/16 x 5/8 x 1/16")	1	4
4			Locknut (5/16-18)	1	4
5	B	1106544	Kit, Switch Clip with Mounting Hardware	1	1
6			Bracket, Cable/Wire Mount	1	1
7			Screw, Phillips Self-Tapping (#10-32 x 3/4")	1	1
8			Lockwasher, External Tooth (#10)	1	1
9		1111007	Bumper Assembly with Mounting Hardware (Pair)	2	1
10	C	1134499	Kit, 5 Degree 16-22" Wide ADJASBA Seat Mounting Hardware	1	1
11			Screw, Socket Head Cap with Patch (5/16-18 x 1-3/4")	1	2
12			Screw, Allen Head (5/16-18 x 2-1/2")	1	2
13			Washer, Flat (5/16 x 5/8 x 1/16")	1	8
14			Locknut (5/16-18)	1	4
15			Spacer (3/8 x 7/8 x 11/16")	1	2
NOTE: A - Includes items 2-4 B - Includes items 6-8 C - Includes items 11-15					

Back Cane and Attaching Hardware

For ASBA Seats (12"-15" Wide) & (16"-22" Wide Before 7/5/05)



Back Cane and Attaching Hardware

For ASBA Seats (12"-15" Wide) & (16"-22" Wide Before 7/5/05)

Item Number	Note	Part Number	Description	Quantity Per	
				Package	Assembly
1		See Chart	#1 Back Cane and Mounting Hardware	1	2
2		1135506	Package, Foam Hand Grips (9" Long)	10	1
3		1134426	Package, Plug Buttons, Black (3/4")	10	1
4	A	1070499	Kit, Back Cane Attaching Hardware, For CJ Bracket 12-13" Deep Seat	2	1
5			Insert, Non-Threaded Back Cane (For Back Heights 20" and Lower)	1	2
7			Washer (1/4 x 23/32 x 1/16")	1	8
8			Locknut (1/4-20)	1	8
9			Spacer, Coved (1/4 x 11/16 x 1/2")	1	8
10			Bracket, CJ Back Mounting - Right	1	1
10			Bracket, CJ Back Mounting - Left	1	1
11			Screw, Hex Head (1/4-20 x 1-5/8")	1	4
4	A	1070500	Kit, Back Cane Attaching Hardware, For CJ Bracket 14-15" Deep Seat	2	1
5			Insert, Non-Threaded Back Cane (For Back Heights 20" and Lower)	1	2
7			Washer (1/4 x 23/32 x 1/16")	1	8
8			Locknut (1/4-20)	1	8
9			Spacer, Coved (1/4 x 11/16 x 1/2")	1	8
10			Bracket, CJ Back Mounting - Right	1	1
10			Bracket, CJ Back Mounting - Left	1	1
11			Screw, Hex Head (1/4-20 x 1-5/8")	1	4
4	B,C,E	1106554	Kit, Back Cane Attaching Hardware	2	1
5			Insert, Non-Threaded Back Cane (For Back Heights 20" and Lower)	1	2
6			Screw, Hex Head (1/4-20 x 1-5/8")	1	4
7			Washer (1/4 x 23/32 x 1/16")	1	4
8			Locknut (1/4-20)	1	4
9			Spacer, Coved (1/4 x 11/16 x 1/2")	1	4
4	B,D	1106555	Kit, Back Cane Attaching Hardware	2	1
5			Insert, Non-Threaded Back Cane (For Back Heights 21" and Higher)	1	2
6			Screw, Hex Head (1/4-20 x 1-5/8")	1	4
7			Washer (1/4 x 23/32 x 1/16")	1	4
8			Locknut (1/4-20)	1	4
9			Spacer, Coved (1/4 x 11/16 x 1/2")	1	4

NOTE: A - Includes items 5-11
B - Includes items 5-9
C - Used for 12"-20" high back canes
D - Used for 21"-24" high back canes
E - Prior to 7/9/04 new back cane attaching hardware must be ordered for 12-15" deep seats that use CJ brackets. The threaded insert was replaced with a non-threaded insert for 12-20" high back canes

Back Cane and Attaching Hardware

For ASBA Seats (12"-15" Wide) & (16"-22" Wide Before 7/5/05)

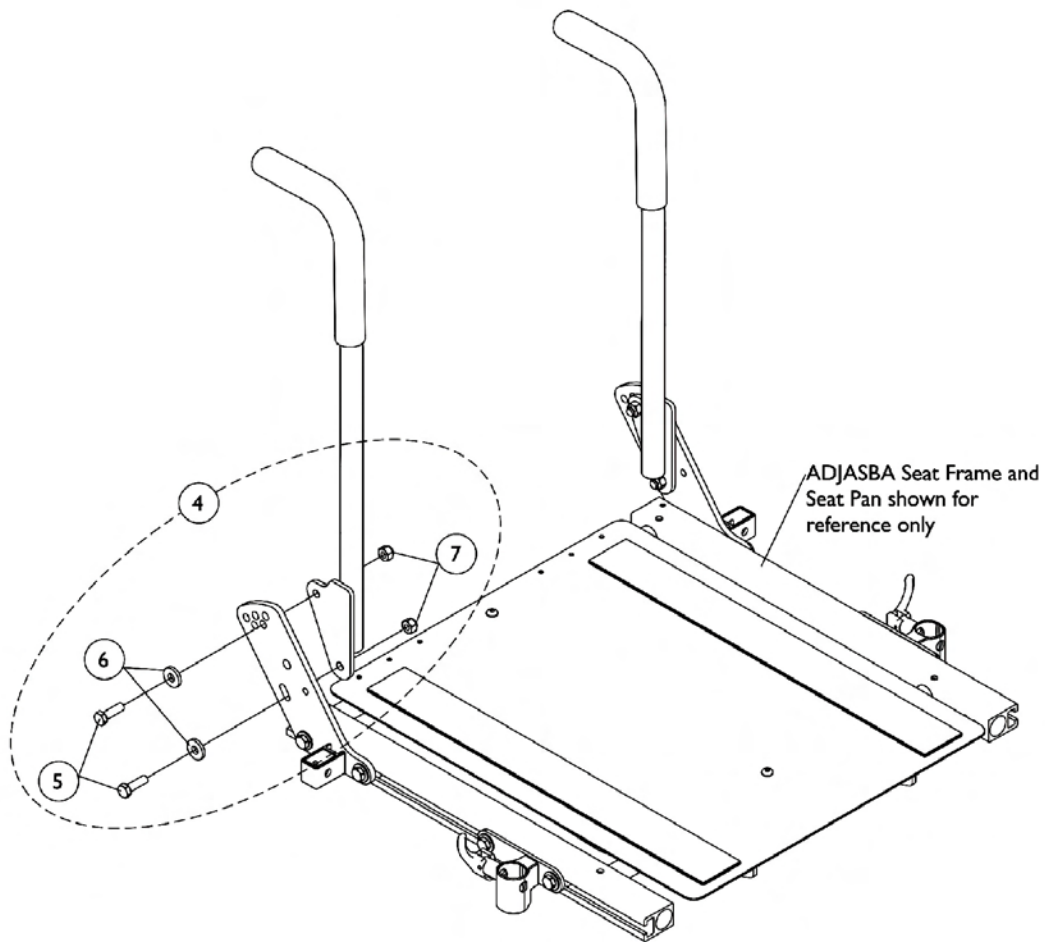
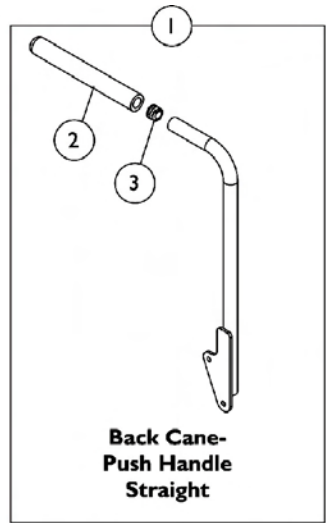
#1 Back Cane Assemblies

Back Height	Part Number
12"	1045253
13"	1045254
14"	1045255
15"	1045256
16"	1048558
17"	1048559
18"	1048560
19"	1048561
20"-24"	1048562

NOTE: Back Cane Assemblies include Foam Grips and Plug Buttons where shown

Back Canes and Attaching Hardware

For ADJASBA Seat (16"-22" Wide) (After 7/4/05)



Back Canes and Attaching Hardware For ADJASBA Seat (16"-22" Wide) (After 7/4/05)

Item Number	Note	Part Number	Description	Quantity Per	
				Package	Assembly
1		See Chart	#1 Back Cane Assemblies	1	1
2		1135506	Package, Foam Hand Grips (9" Long)	10	1
3		1134426	Package, Plug Buttons, Black (3/4")	10	1
4	A	1135999	Kit, Back Cane Mounting Hardware (Pair)	1	1
5			Screw, Hex Head Cap (5/16-18 x 1")	1	4
6			Washer, Flat (21/64 x 53/64 x 7/64")	1	4
7			Locknut (5/16-18)	1	4

NOTE: A - Includes items 5-7

#1 Back Cane Assemblies

Back Height	Back Cane-Push Handle Straight Right	Back Cane-Push Handle Straight Left
12"	1133785	1133786
13"	1133787	1133788
14"	1133789	1133790
15"	1133791	1133792
16"	1133793	1133794
17"	1133795	1133796
18"	1143334	1143335
	See Note(s) C	See Note(s) C
19"	1133799	1133800
20" See Note(s) A	1133801	1133802
21" See Note(s) B	1136011	1136012
22" See Note(s) B	1136013	1136014
23" See Note(s) B	1136015	1136016
24" See Note(s) B	1136017	1136018

NOTE: A - All 20"-24" high ABS Curved Backs ordered On-Chair will use the 20" high back cane.
 B - 21"-24" high back canes are only offered On-Chair when Back Post Only option is selected.
 C - Chairs with Contoura Backs use 18" high back canes only

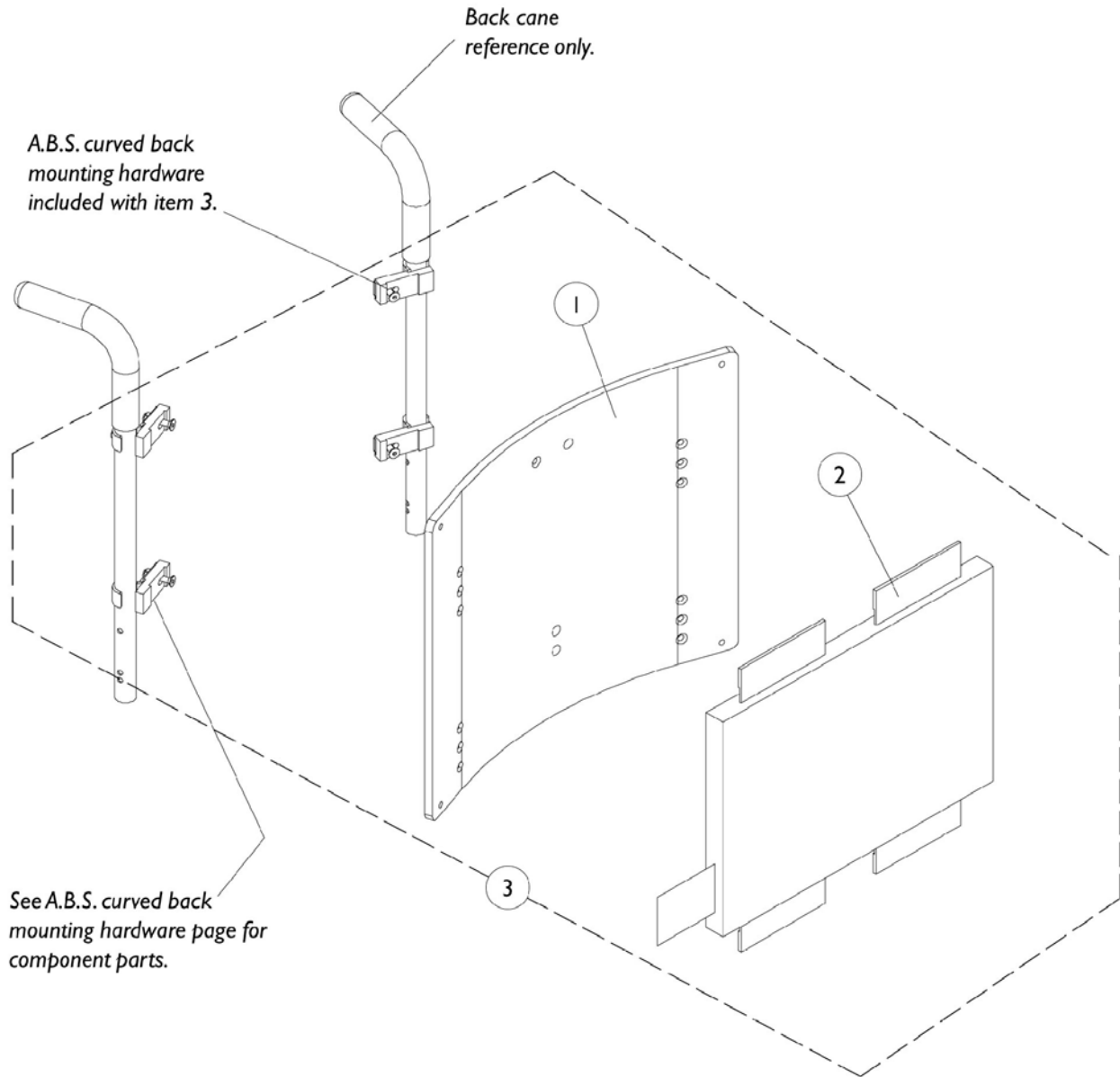
NOTE: Back Cane Assemblies include Foam Grips and Plug Buttons where shown

A.B.S. Curved Back Assembly

NOTE: Hook Fastener Adhesive Kit must be ordered when a Back Pan or Back Assembly is requested. This will allow the Loop Fastener Adhesive on the Back Cover to attach properly.

NOTE: A.B.S. Curved Back mounts only to Storm Series back canes without a 10 degree bend.

NOTE: Back cover and foam are sold as a Back Cushion Assembly only.



A.B.S. Curved Back Assembly

NOTE: Hook Fastener Adhesive Kit must be ordered when a Back Pan or Back Assembly is requested.
This will allow the Loop Fastener Adhesive on the Back Cover to attach properly.

NOTE: A.B.S. Curved Back mounts only to Storm Series back canes without a 10 degree bend.

NOTE: Back cover and foam are sold as a Back Cushion Assembly only.

#1 Back Pan - 16" W to 18" W

Overall Back Height	Material Back Height	16" Wide	17" Wide	18" Wide
15"	11"	1086014	1086015	1086016
16"	12"	1086021	1086022	1086023
17"	13"	1086028	1086029	1086030
18"	14"	1086035	1086036	1086037
19"	15"	1086042	1086043	1086044
20"	16"	1086049	1086050	1086051
21"	17"	1086056	1086057	1086058
22"	18"	1086063	1086064	1086065
23"	19"	1086070	1086071	1086072
24"	20"	1086077	1086078	1086079

A.B.S. Curved Back Assembly

NOTE: Hook Fastener Adhesive Kit must be ordered when a Back Pan or Back Assembly is requested. This will allow the Loop Fastener Adhesive on the Back Cover to attach properly.

NOTE: A.B.S. Curved Back mounts only to Storm Series back canes without a 10 degree bend.

NOTE: Back cover and foam are sold as a Back Cushion Assembly only.

#1 Back Pan - 19" W to 22" W

Overall Back Height	Material Back Height	19" Wide	20" Wide	21" Wide	22" Wide
15"	11"	1086017	1086018	1086019	1086020
16"	12"	1086024	1086025	1086026	1086027
17"	13"	1086031	1086032	1086033	1086034
18"	14"	1086038	1086039	1086040	1086041
19"	15"	1086045	1086046	1086047	1086048
20"	16"	1086052	1086053	1086054	1086055
21"	17"	1086059	1086060	1086061	1086062
22"	18"	1086066	1086067	1086068	1086069
23"	19"	1086073	1086074	1086075	1086076
24"	20"	1086080	1086081	1086082	1086083

A.B.S. Curved Back Assembly

NOTE: Hook Fastener Adhesive Kit must be ordered when a Back Pan or Back Assembly is requested.
This will allow the Loop Fastener Adhesive on the Back Cover to attach properly.

NOTE: A.B.S. Curved Back mounts only to Storm Series back canes without a 10 degree bend.

NOTE: Back cover and foam are sold as a Back Cushion Assembly only.

#2 Back Cushion Assembly - 16" W to 18" W

Overall Back Height	Material Back Height	16" Wide	17" Wide	18" Wide
15"	11"	1097368	1097369	1097370
16"	12"	1097375	1097376	1097377
17"	13"	1097382	1097383	1097384
18"	14"	1097389	1097390	1097391
19"	15"	1097396	1097397	1097398
20"	16"	1097403	1097404	1097405
21"	17"	1097410	1097411	1097412
22"	18"	1097417	1097418	1097419
23"	19"	1097424	1097425	1097426
24"	20"	1097431	1097432	1097433

A.B.S. Curved Back Assembly

NOTE: Hook Fastener Adhesive Kit must be ordered when a Back Pan or Back Assembly is requested.
This will allow the Loop Fastener Adhesive on the Back Cover to attach properly.

NOTE: A.B.S. Curved Back mounts only to Storm Series back canes without a 10 degree bend.

NOTE: Back cover and foam are sold as a Back Cushion Assembly only.

#2 Back Cushion Assembly - 19" W to 22" W

Overall Back Height	Material Back Height	19" Wide	20" Wide	21" Wide	22" Wide
15"	11"	1097371	1097372	1097373	1097374
16"	12"	1097378	1097379	1097380	1097381
17"	13"	1097385	1097386	1097387	1097388
18"	14"	1097392	1097393	1097394	1097395
19"	15"	1097399	1097400	1097401	1097402
20"	16"	1097406	1097407	1097408	1097409
21"	17"	1097413	1097414	1097415	1097416
22"	18"	1097420	1097421	1097422	1097423
23"	19"	1097427	1097428	1097429	1097430
24"	20"	1097434	1097435	1097436	1097437

A.B.S. Curved Back Assembly

NOTE: Hook Fastener Adhesive Kit must be ordered when a Back Pan or Back Assembly is requested.
This will allow the Loop Fastener Adhesive on the Back Cover to attach properly.

NOTE: A.B.S. Curved Back mounts only to Storm Series back canes without a 10 degree bend.

NOTE: Back cover and foam are sold as a Back Cushion Assembly only.

#3 Back Assembly with Hardware - 16" W to 18" W

Overall Back Height	Material Back Height	16" Wide	17" Wide	18" Wide
15"	11"	1106972	1106982	1106992
16"	12"	1106973	1106983	1106993
17"	13"	1106974	1106984	1106994
18"	14"	1106975	1106985	1106995
19"	15"	1106976	1106986	1106996
20"	16"	1106977	1106987	1106997
21"	17"	1106978	1106988	1106998
22"	18"	1106979	1106989	1106999
23"	19"	1106980	1106990	1107000
24"	20"	1106981	1106991	1107001

A.B.S. Curved Back Assembly

NOTE: Hook Fastener Adhesive Kit must be ordered when a Back Pan or Back Assembly is requested.
This will allow the Loop Fastener Adhesive on the Back Cover to attach properly.

NOTE: A.B.S. Curved Back mounts only to Storm Series back canes without a 10 degree bend.

NOTE: Back cover and foam are sold as a Back Cushion Assembly only.

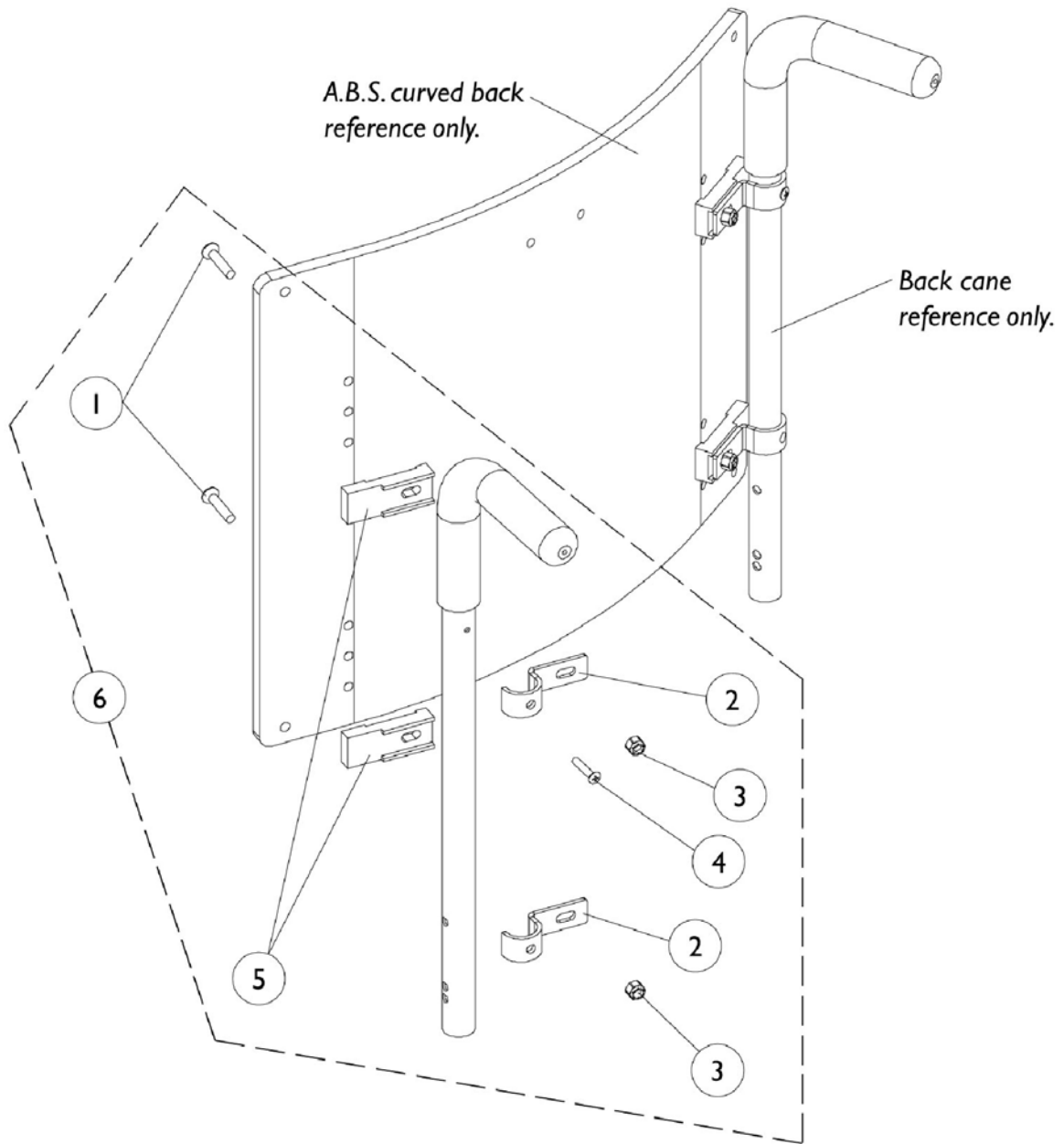
#3 Back Assembly with Hardware - 19" W to 22" W

Overall Back Height	Material Back Height	19" Wide	20" Wide	21" Wide	22" Wide
15"	11"	1107002	1107012	1107022	1107032
16"	12"	1107003	1107013	1107023	1107033
17"	13"	1107004	1107014	1107024	1107034
18"	14"	1107005	1107015	1107025	1107035
19"	15"	1107006	1107016	1107026	1107036
20"	16"	1107007	1107017	1107027	1107042
21"	17"	1107008	1107018	1107028	1107043
22"	18"	1107009	1107019	1107029	1107044
23"	19"	1107010	1107020	1107030	1107045
24"	20"	1107011	1107021	1107031	1107046

Item Number	Note	Part Number	Description	Quantity Per	
				Package	Assembly
1		See Chart	#1 Back Pan 16"-18"	1	1
1		See Chart	#1 Back Pan 19"-22"	1	1
2		See Chart	#2 Back Cushion Assembly 16"-18"	1	1
2		See Chart	#2 Back Cushion Assembly 19"-22"	1	1
3		See Chart	#3 Back Assembly with Hardware 16"-18"	1	1
3		See Chart	#3 Back Assembly with Hardware 19"-22"	1	1
	A	1125723	Kit, Hook Fastener w/ Adhesive Back	1	1

NOTE: A - Not Shown. Hook Fastener Adhesive Kit is used to attach the Back Cover to the Back Pan and must be ordered when a new Back Pan or Back Assembly is requested.

A.B.S. Curved Back Mounting Hardware



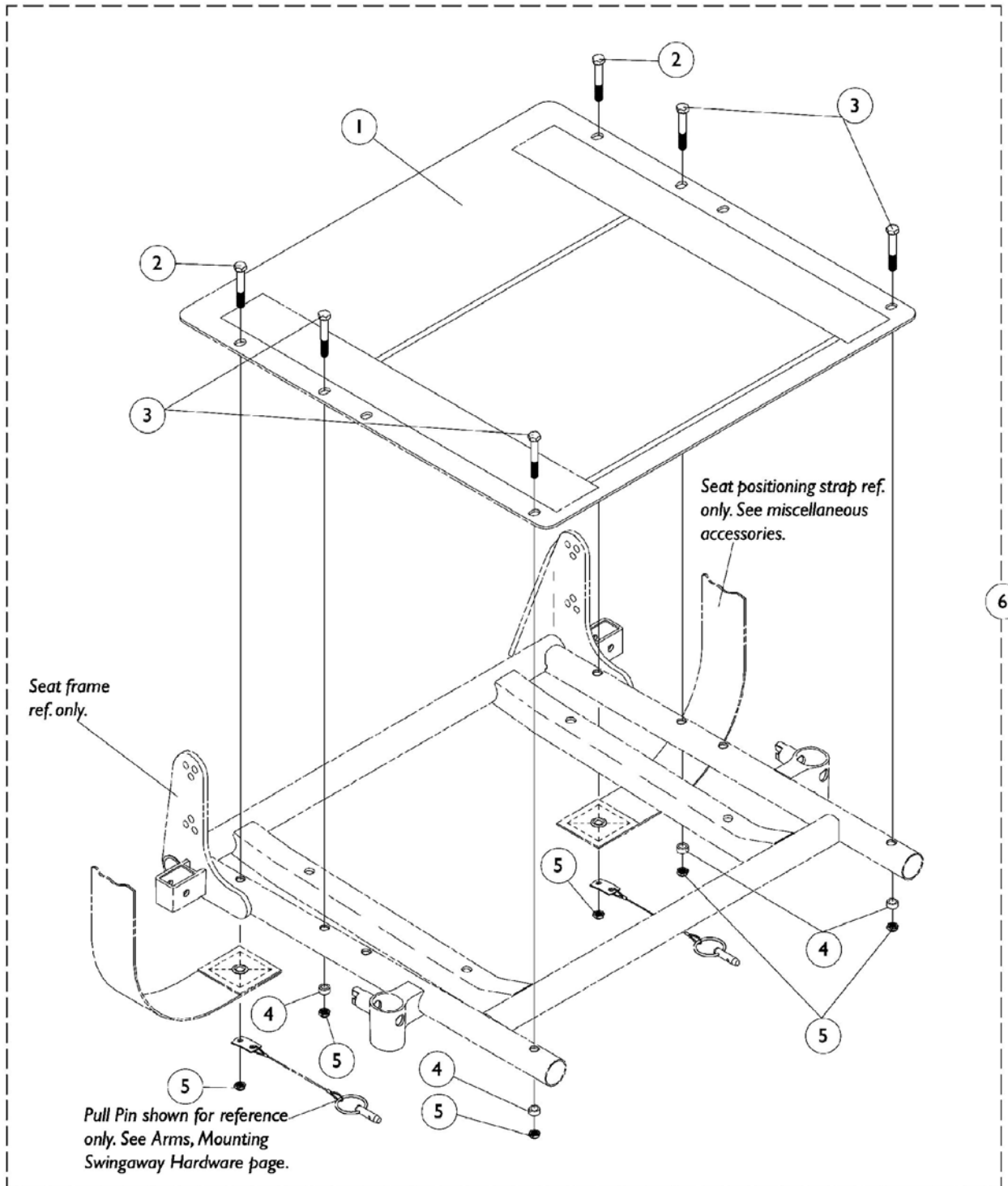
A.B.S. Curved Back Mounting Hardware

Item Number	Note	Part Number	Description	Quantity Per	
				Package	Assembly
6	A	1106395	Kit, Back, A.B.S. Curved Mounting Hardware	1	1
1			Screw, Socket Flat C'sunk Head (1/4-20 x 1-1/4")	1	4
2			Hook, Back Assembly Mounting	1	4
3			Locknut (1/4-20)	1	4
4			Screw, Phillips Oval Head Countersunk (#10-16 x 7/8")	1	2
5			Spacer, Back Pan	1	4

NOTE: A - Includes items 1-5

Seat Pan and Mounting Hardware

For ASBA Seats (12-15" Wide) & (16-22" Wide Before 7/5/05)



Seat Pan and Mounting Hardware For ASBA Seats (12-15" Wide) & (16-22" Wide Before 7/5/05)

#1 Seat Pan - 12" D to 18" D

Seat Width	12-15" Deep	16" Deep	17" Deep	18" Deep
12" Wide	1066009	1070513	N/A	N/A
13" Wide	1066010	1070514	N/A	N/A
14" Wide	1066022	1066011	1066022	1066033
15" Wide	1066023	1066012	1066023	1066034
16" Wide	1066024	1066013	1066024	1066035
17" Wide	N/A	1066014	1066025	1066036
18" Wide	N/A	1066015	1066026	1066037
19" Wide	N/A	1066016	1066027	1066038
20" Wide	N/A	1066017	1066028	1066039
21" Wide	N/A	1066018	1066029	1066040
22" Wide	N/A	1066019	1066030	1066041

NOTE: 12-15" seat depths are achieved by using CJ back cane mounting hardware.

Seat Pan and Mounting Hardware

For ASBA Seats (12-15" Wide) & (16-22" Wide Before 7/5/05)

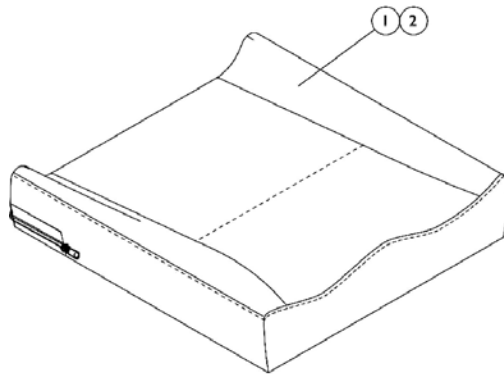
#1 Seat Pan - 19" D to 22" D

Seat Width	19" Deep	20" Deep	21" Deep	22" Deep
12" Wide	N/A	N/A	N/A	N/A
13" Wide	N/A	N/A	N/A	N/A
14" Wide	1066044	1066055	1066066	1066077
15" Wide	1066045	1066056	1066067	1066078
16" Wide	1066046	1066057	1066068	1066079
17" Wide	1066047	1066058	1066069	1066080
18" Wide	1066048	1066059	1066070	1066081
19" Wide	1066049	1066060	1066071	1066082
20" Wide	1066050	1066061	1066072	1066083
21" Wide	1066051	1066062	1066073	1066084
22" Wide	1066052	1066063	1066074	1066085

Item Number	Note	Part Number	Description	Quantity Per	
				Package	Assembly
1		See Chart	#1 Seat Pan 12"-18"	1	1
1		See Chart	#1 Seat Pan 19"-22"	1	1
6	A	1070459	Kit, Seat Pan Mounting Hardware	1	1
2			Screw, Hex Head (1/4-20 x 1-5/8")	1	2
3			Screw, Hex Head (1/4-20 x 1-1/2")	1	4
4			Spacer (1/4 x 3/8 x 3/16")	1	4
5			Locknut (1/4-20)	1	6

NOTE: A - Includes items 2-5

Seat Cushion Assembly ADJASBA Only



#1 Contoura Seat Cushion Assembly

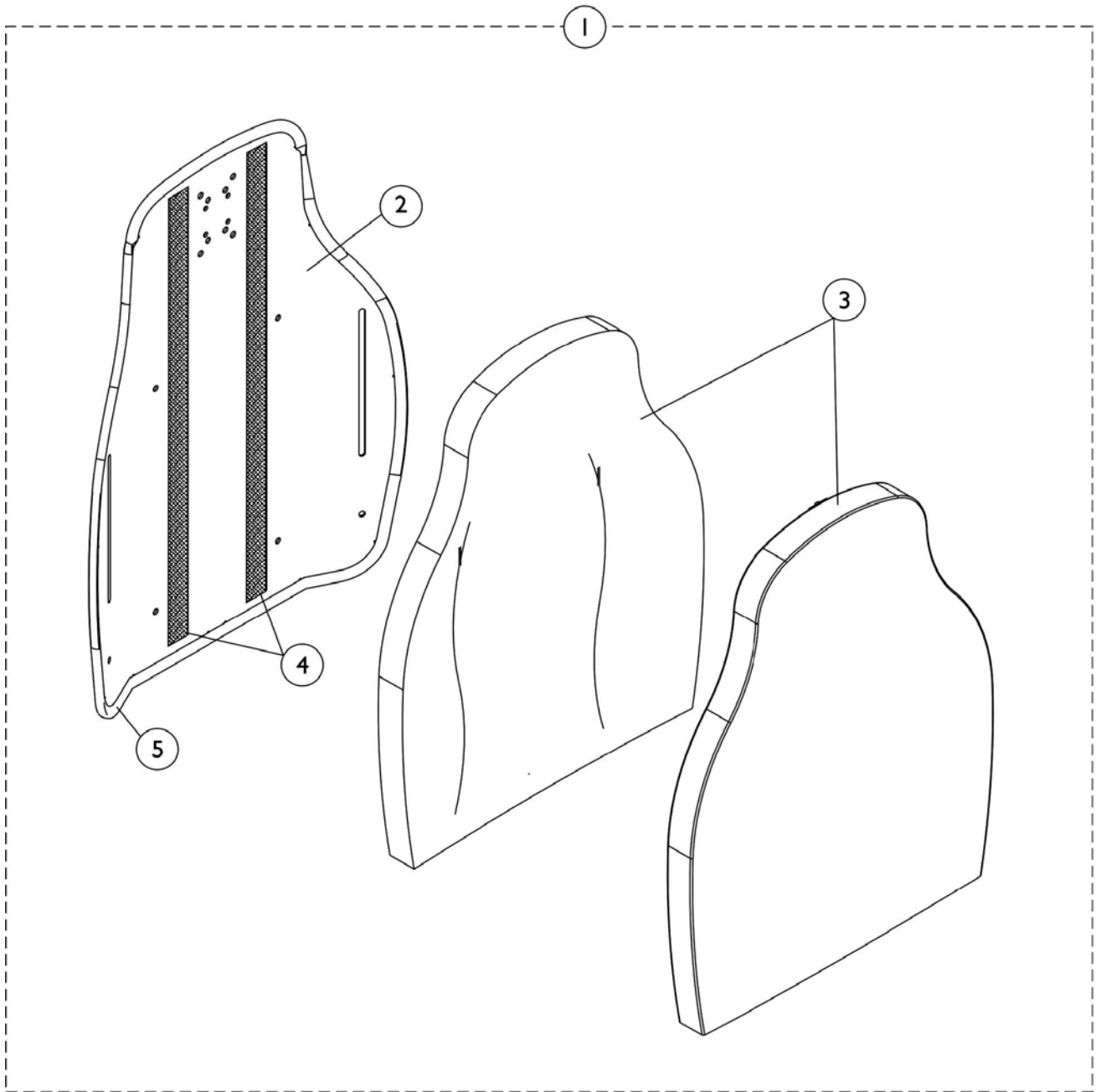
Chair Width	16" Deep	17" Deep	18" Deep	19" Deep	20" Deep	21" Deep	22" Deep
16" W	1132982 See Note(s) A	1132983 See Note(s) A	1132984 See Note(s) A	1132985 See Note(s) A	1132986 See Note(s) A	N/A	N/A
18" W	1132987 See Note(s) A	1132988 See Note(s) A	1132989 See Note(s) A	1132990 See Note(s) A	1132991 See Note(s) A	N/A	N/A
20" W	1132992 See Note(s) A	1132993 See Note(s) A	1132994 See Note(s) A	1132995 See Note(s) A	1132996 See Note(s) A	1132997 See Note(s) A	1132998 See Note(s) A
22" W	N/A	N/A	1132999 See Note(s) A	1133000 See Note(s) A	1133001 See Note(s) A	1133002 See Note(s) A	1133003 See Note(s) A

NOTE: A - Cushion Foam is not available separately.

#2 Contoura Seat Cushion Cover

Chair Width	16" Deep	17" Deep	18" Deep	19" Deep	20" Deep	21" Deep	22" Deep
16" W	1132953	1132954	1132955	1132956	1132957	N/A	N/A
18" W	1132958	1132959	1132960	1132961	1132962	N/A	N/A
20" W	1132963	1132964	1132965	1132966	1132967	1132968	1132969
22" W	N/A	N/A	1132970	1132971	1132972	1132973	1132974

Contoura Back without Mounting Hardware



Contoura Back without Mounting Hardware

#1 Back Assembly without Hardware 16", 18", 20", 22" Wide

Overall Back Height	Material Back Height	16" Wide	18" Wide	20" Wide	22" Wide
25"	20"	1132828	1132829	1132830	1132831
29"	24"	1132825	1124733	1124734	1132826

#2 Back Pan with Vinyl Edge Trim 16", 18", 20", 22" Wide

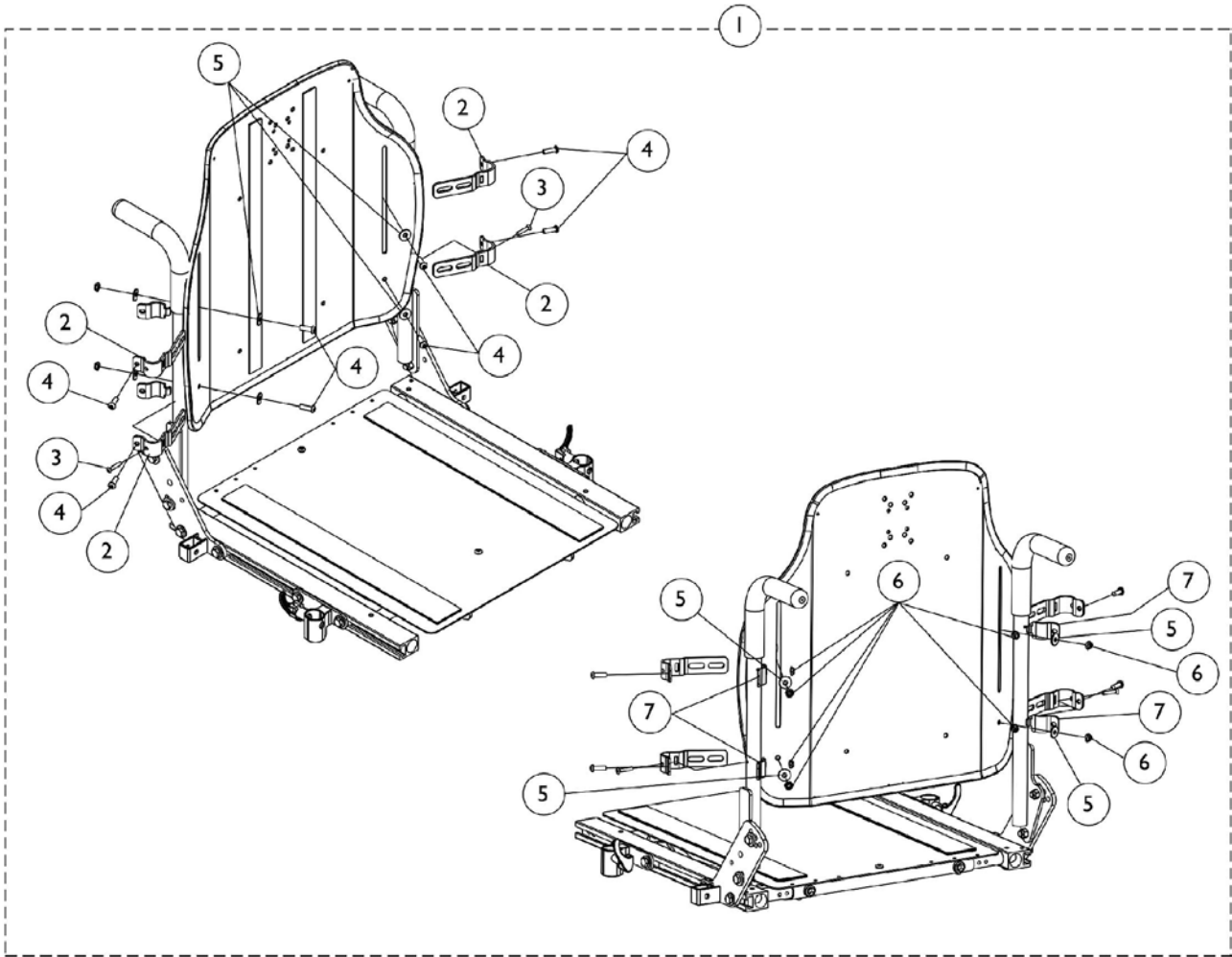
Overall Back Height	Material Back Height	16" Wide	18" Wide	20" Wide	22" Wide
25"	20"	1131405	1131406	1131407	1131408
29"	24"	1131410	1122454	1122453	1131411

#3 Back Cushion Assembly 16", 18", 20", 22" Wide

Overall Back Height	Material Back Height	16" Wide	18" Wide	20" Wide	22" Wide
25"	20"	1132820	1132821	1132822	1132823
29"	24"	1132817	1125641	1125642	1132818

Item Number	Note	Part Number	Description	Quantity Per	
				Package	Assembly
1		See Chart	#1 Back Assembly without Hardware 16", 18", 20", 22" Wide	1	1
2		See Chart	#2 Back Pan with Vinyl Edge Trim 16", 18", 20", 22" Wide	1	1
3		See Chart	#3 Back Cushion Assembly 16", 18", 20", 22" Wide	1	1
4		1125725	Hook Fastener w/ Adhesive Back (1" Wide x 48" Long)	1	1
5		1125724	Edge Trim, Vinyl Black (96" Long) Cut-To-Length	1	1

Contoura Back Mounting Hardware ADJASBA Only



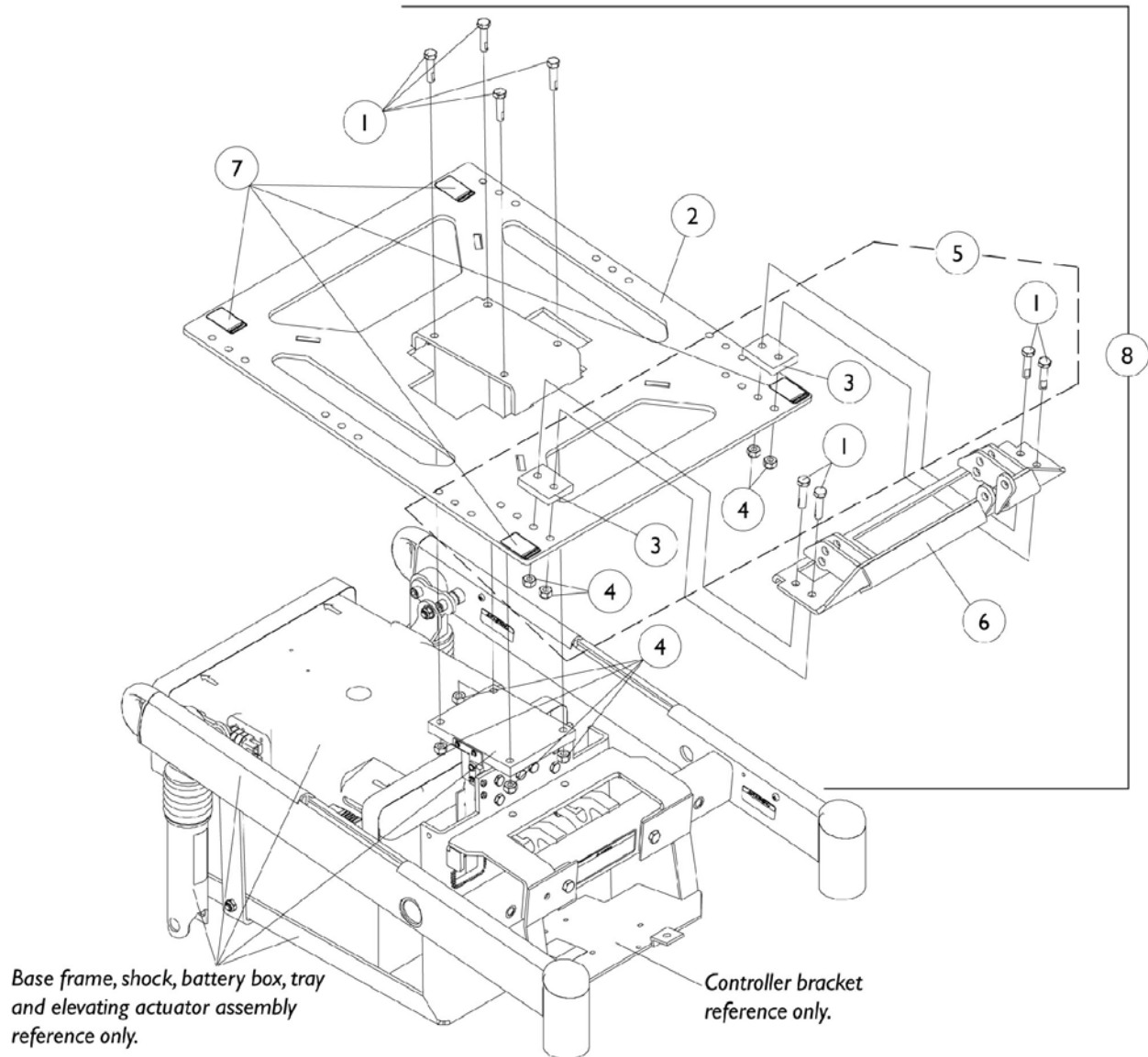
Contoura Back Mounting Hardware ADJASBA Only

Item Number	Note	Part Number	Description	Quantity Per	
				Package	Assembly
1	A	1140945	Kit, Contoura Back Mounting Hdwr. - Round Canes	1	1
2			Bracket, Back Mounting - Front	1	4
3			Screw, Phillips Oval Head Countersunk (#10-16 x 7/8")	1	2
4			Screw, Socket Head (1/4-20 x 3/4")	1	8
5			Washer (1/4 x 23/32 x 1/16")	1	8
6			Locknut (1/4-20)	1	8
7			Bracket, Back Mounting - Rear	1	4

NOTE: A - Includes items 2-7

Seat Plate and Front Actuator Support Bracket For Elevating Seat

NOTE: For 3rd Generation Storm Series Chairs Only. (ESS-PTO) Elevate w/ PTO was discontinued 10/16/06. After 10/15/06, refer to the Formula CG Powered Seating System Parts Catalog Form #06-106 for Elevate components on a 3G Storm Series.

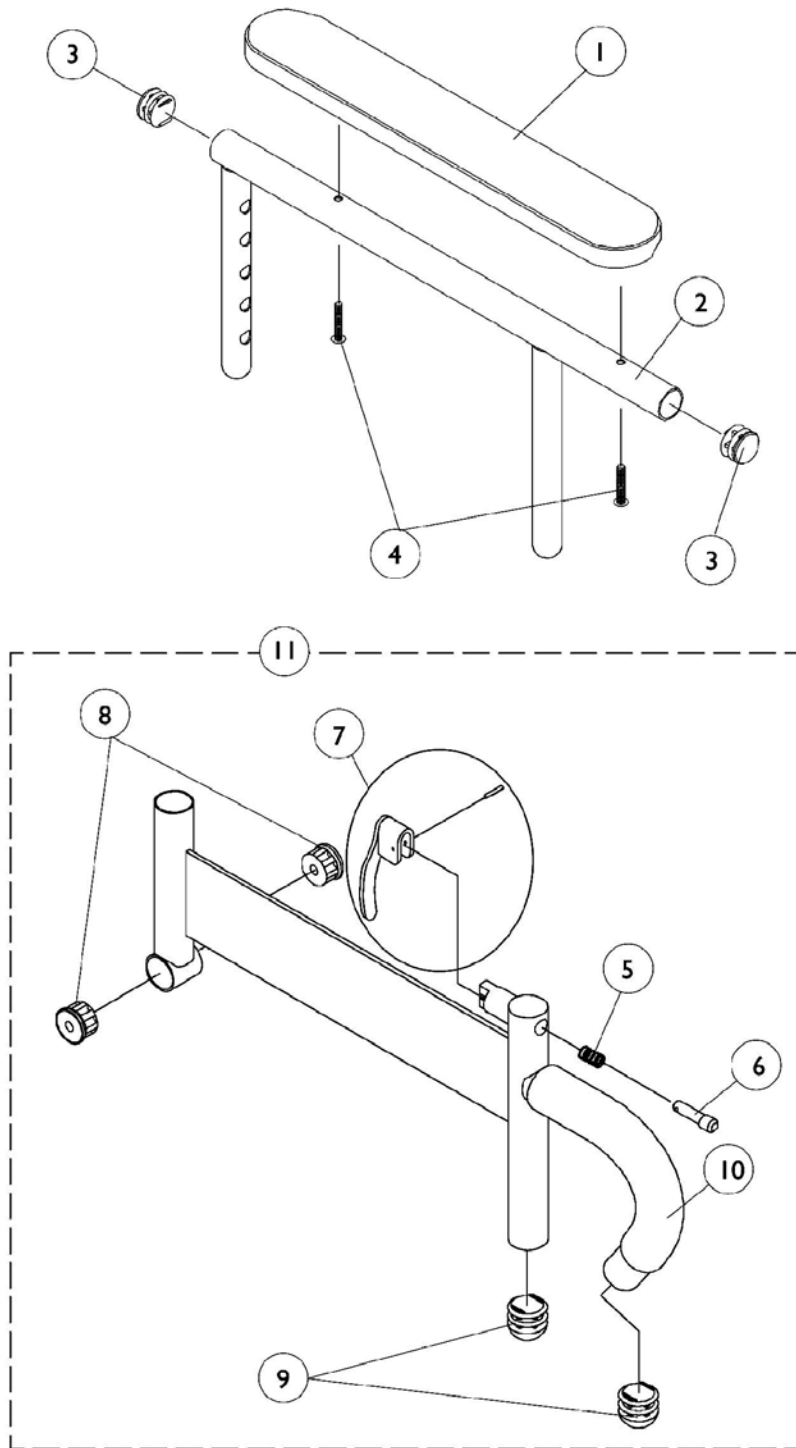


Seat Plate and Front Actuator Support Bracket For Elevating Seat

NOTE: For 3rd Generation Storm Series Chairs Only. (ESS-PTO) Elevate w/ PTO was discontinued 10/16/06. After 10/15/06, refer to the Formula CG Powered Seating System Parts Catalog Form #06-106 for Elevate components on a 3G Storm Series.

Item Number	Note	Part Number	Description	Quantity Per	
				Package	Assembly
1		7930337	Screw, Hex Head Cap with Patch (5/16-18 x 1-1/4")	25	8
2		1109615	Plate, Seat P.T.O. with Warning Decals	1	1
3		1108225	Spacer, Seat Plate	1	2
4		1026158	Locknut (5/16-18)	1	8
5	A	1109081	Hardware, Front Actuator Support Bracket Mounting	1	1
6		1108230	Bracket, Front Actuator Support	1	1
7		1079203	Decal, Warning Pinch Point	1	4
8	B	1108427	Bracket Assembly, Seat Plate and Front Actuator Support	1	1
NOTE: A - Includes items 1, 3 and 4 B - Includes items 1-4, 6 and 7					

Arms, Adjustable Height (12-13" W x 12-15" D)/(14-15" W x 12-22" D) ASBA Seats

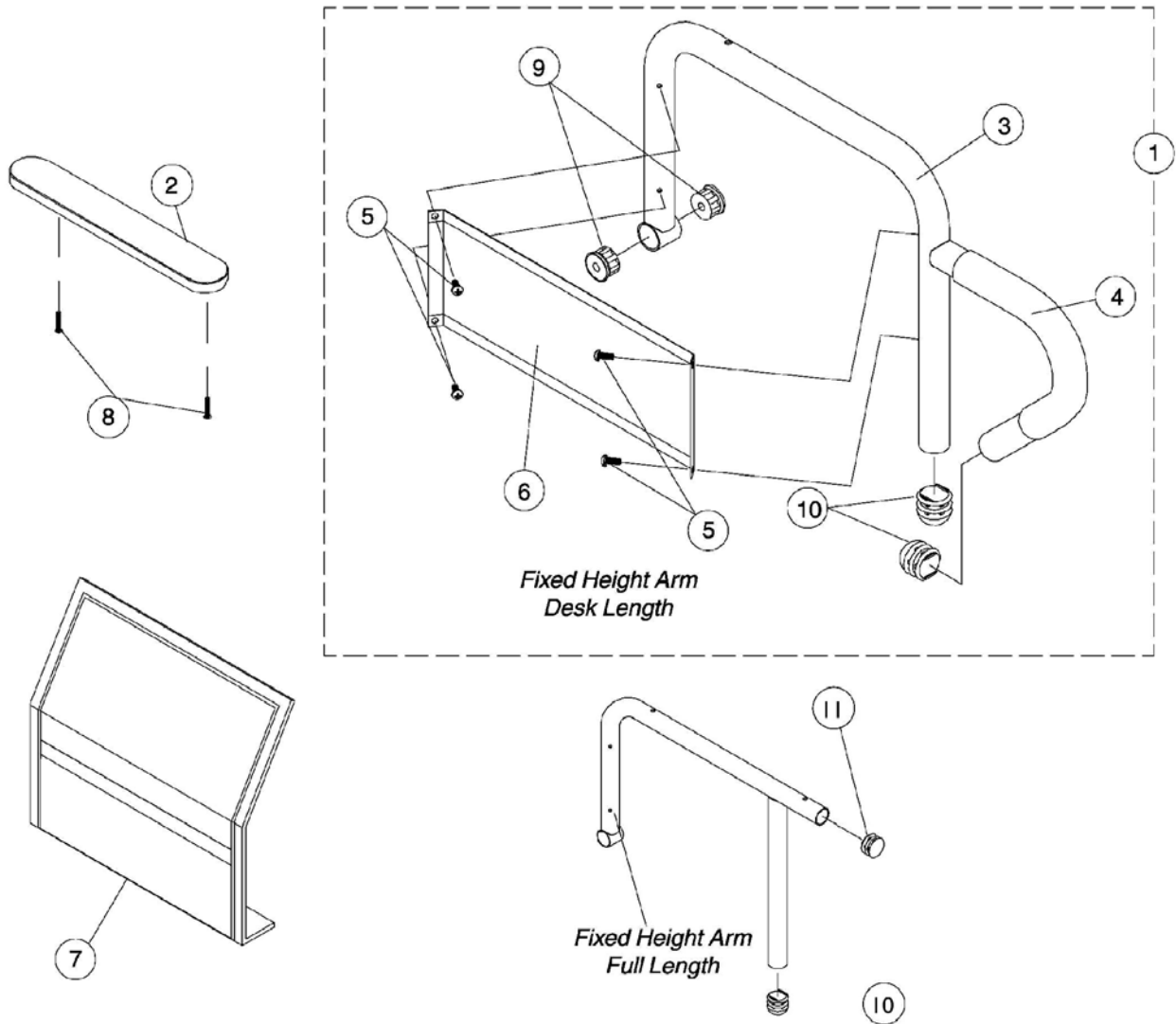


Arms, Adjustable Height (12-13" W x 12-15" D)/(14-15" W x 12-22" D) ASBA Seats

Item Number	Note	Part Number	Description	Quantity Per	
				Package	Assembly
1	A	8881015932	Arm Pad, Vinyl, Full Length (14" L x 2" W) - Right	1	1
1	A	8881015933	Arm Pad, Vinyl, Full Length (14" L x 2" W) - Left	1	1
1	A	8881053577	Arm Pads, Vinyl, Full Length with Screws (14" L x 2" W)	2	1
1	A,B	8881011811	Arm Pad, Vinyl, Desk Length (9" L x 2" W)	1	1
1	A,B	8881053578	Arm Pads, Vinyl, Desk Length with Screws (9" L x 2" W)	2	1
2		1071263	Upper Arm Assembly, Adjustable Height with Plug Buttons - Full Length	1	1
2		1071259	Upper Arm Assembly, Adjustable Height with Plug Buttons - Desk Length	1	1
3		1027095	Plug Button, Black (7/8")	1	2
4		1055949	Screws, Phillips Pan Head (#10-32 x 1-1/8")	2	1
5		47471X074	Spring, Arm Lock	1	1
6		1028594	Pin, Arm Lock	1	1
7		1090768	Kit, Lock Handle w/Rivets (both LT & RT side)	2	1
8		1065936	Plug, Pivot	1	2
9		1067734	Plug Button, Black (5/8")	1	2
10		1016298	Grip, Push Handle	1	1
11		1068585	Arm Base Assembly, Adjustable Height - Right (Black)	1	1
11		1068586	Arm Base Assembly, Adjustable Height - Left (Black)	1	1

NOTE: A - Specify U67 black upholstery color when ordering.
 B - It is recommended that full length arm pads be used for seat depths 12"-14" allowing proper arm pad exposure to support the forearm of the customer

Arms, Fixed Height (16"-22" Wide) x (16"-22" Deep) Seat Frames



Arms, Fixed Height (16"-22" Wide) x (16"-22" Deep) Seat Frames

#1 Arms Less Pads

16"-19" Deep Seat Frames

Arm Style	Right	Left
Desk Length	1068566	1068567
Full Length	1068559	1068560

#1 Arms Less Pad

20" and Deeper Seat Frames

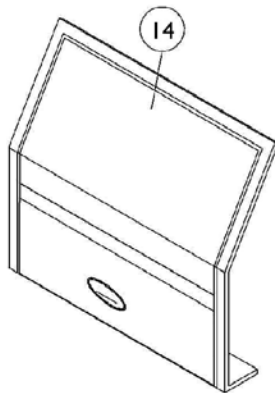
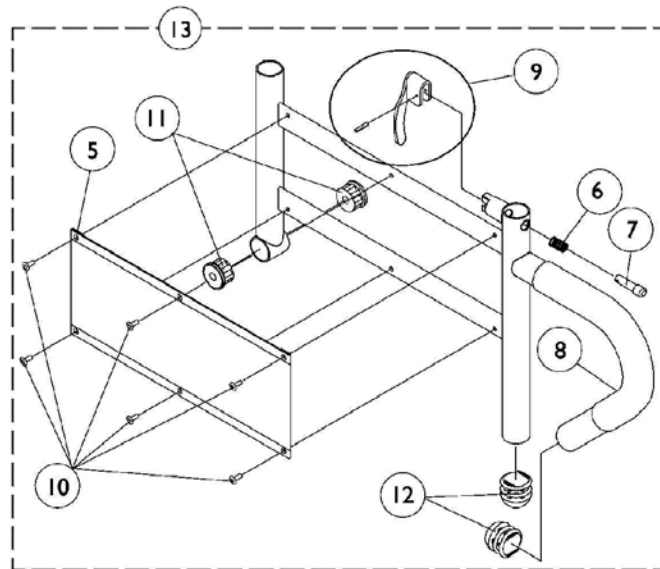
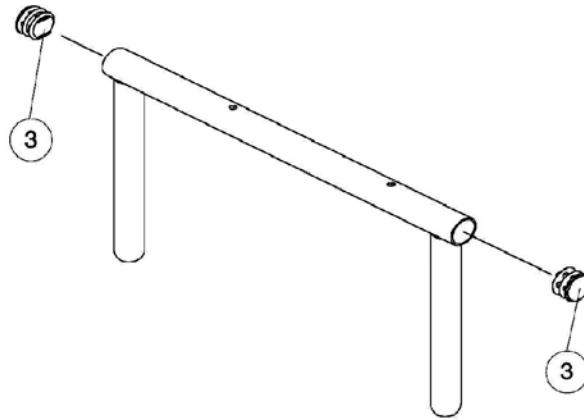
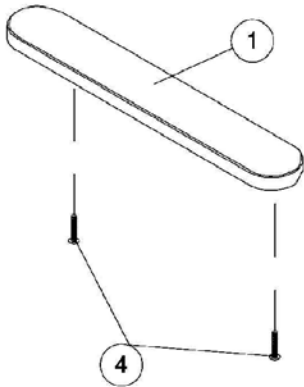
Arm Style	Right	Left
Desk Length	1068540	1068541
Full Length	1068528	1068529

Arms, Fixed Height (16"-22" Wide) x (16"-22" Deep) Seat Frames

Item Number	Note	Part Number	Description	Quantity Per	
				Package	Assembly
1		See Chart	Item #1 Arms Less Pad - 16"-19" Deep Seat Frames	1	1
1	B	See Chart	Item #1 Arms Less Pad - 20" and Deeper Seat Frames	1	1
2	A	8881015932	Arm Pad, Vinyl, Full Length (14" L x 2" W) - Right	1	1
2	A	8881015933	Arm Pad, Vinyl, Full Length (14" L x 2" W) - Left	1	1
2	A	8881011811	Arm Pad, Vinyl, Desk Length (9" L x 2" W)	1	1
3		1068564	Arm Tube, Desk Length 16-19" Deep - Right (Black)	1	1
3		1068565	Arm Tube, Desk Length 16-19" Deep - Left (Black)	1	1
3	B	1068414	Arm Tube, Desk Length Long 20" and Deeper - Right (Black)	1	1
3	B	1068415	Arm Tube, Desk Length Long 20" and Deeper - Left (Black)	1	1
3		1068490	Arm Tube, Full Length Standard 16-19" Deep - Right (Black)	1	1
3		1068491	Arm Tube, Full Length Standard 16-19" Deep - Left (Black)	1	1
3	B	1068473	Arm Tube, Full Length Long 20" and Deeper - Right (Black)	1	1
3	B	1068474	Arm Tube, Full Length Long 20" and Deeper - Left (Black)	1	1
4		1032244	Grip, Foam Hand (9" Long)	1	1
5		1025729	Screw, Self Tapping Pan Head (#8-32 x 3/8")	1	4
6		1035472	Clothing Guard, Desk Length	1	1
6		1044572	Clothing Guard, Full Length 16-19" Deep	1	1
6	B	1044005	Clothing Guard, Full Length 20" and Deeper	1	1
7		1035065	Cover, Clothing Guard with Pocket - For Fixed Height Desk Length & Adjustable Height Full/Desk Length	1	1
7	B	1044588	Cover, Clothing Guard with Pocket For Fixed Height Full Length - 20" and Deeper	1	1
8		1055949	Screws, Phillips Pan Head (#10-32 x 1-1/8")	2	1
9		1065936	Plug, Pivot	1	2
10		1067734	Plug Button, Black (5/8")	1	2
11		1027095	Plug Button, Black (7/8")	1	1

NOTE: A - Specify U67 black upholstery color when ordering.
B - The ADJASBA seat frame for 19-22" depths must use the 16-19" deep arms only.

Arms, Adjustable Height (16"-22" Wide) x (16"-22" Deep) Seat Frames



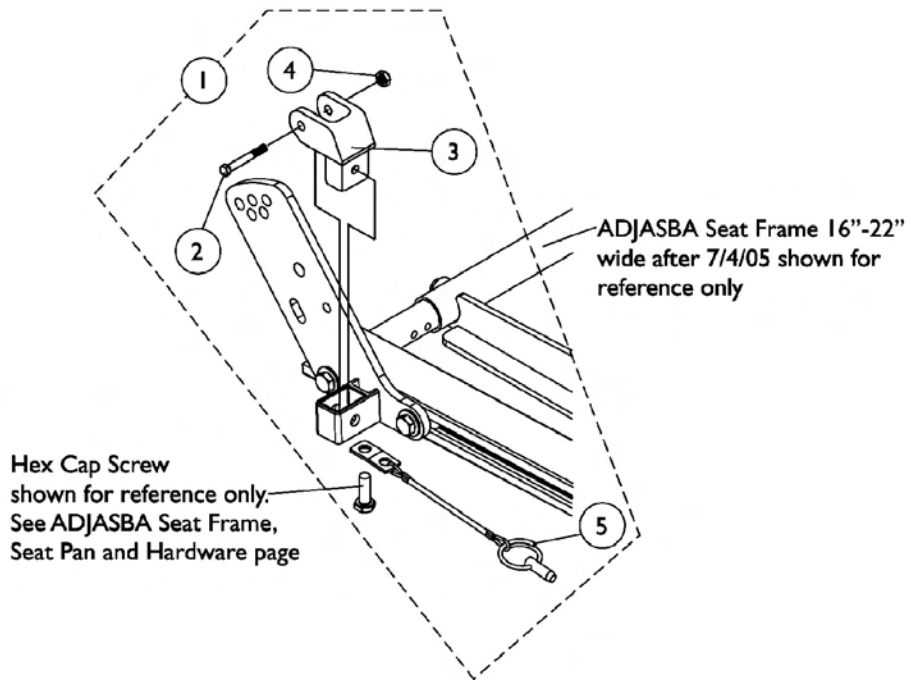
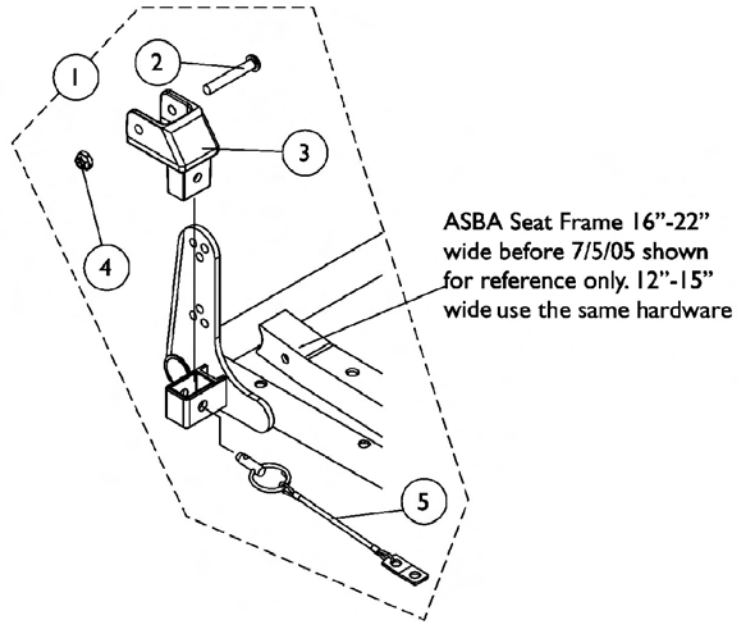
Arms, Adjustable Height (16"-22" Wide) x (16"-22" Deep) Seat Frames

Item Number	Note	Part Number	Description	Quantity Per	
				Package	Assembly
1	A	8881015932	Arm Pad, Vinyl, Full Length (14" L x 2" W) - Right	1	1
1	A	8881015933	Arm Pad, Vinyl, Full Length (14" L x 2" W) - Left	1	1
1	A	8881011811	Arm Pad, Vinyl, Desk Length (9" L x 2" W)	1	1
2		1071253	Arm Top, Adjustable Height with Plug Buttons - Full Length (Black)	1	1
2		1070859	Arm Tube, Upper with Plug Buttons (Black) - Desk Length	1	1
3		1027095	Plug Button, Black (7/8")	1	2
4		1055949	Screws, Phillips Pan Head (#10-32 x 1-1/8")	2	1
5		1064130	Clothing Guard	1	1
6		47471X074	Spring, Arm Lock	1	1
7		1028594	Pin, Arm Lock	1	1
8		1032244	Grip, Foam Hand (9" Long)	1	1
9		1090768	Kit, Lock Handle w/Rivets (both LT & RT side)	2	1
10		1028645	Rivet	1	6
11		1065936	Plug, Pivot	1	2
12		1067734	Plug Button, Black (5/8")	1	2
13	B	1068416	Arm Base, Adjustable Height 16-19" Deep - Right (Black)	1	1
13	B	1068417	Arm Base, Adjustable Height 16-19" Deep - Left (Black)	1	1
13	C	1068418	Arm Base, Adjustable Height 20" and Deeper - Right (Black)	1	1
13	C	1068419	Arm Base, Adjustable Height 20" and Deeper - Left (Black)	1	1
14		1035065	Cover, Clothing Guard with Pocket - For Fixed Height Desk Length & Adjustable Height Full/Desk Length	1	1

NOTE: A - Specify U67 black upholstery color when ordering.
 B - 16"-19" Deep
 C - 20"-22" Deep. The ADJASBA seat frame for 19-22" depths must use the 16-19" deep arms only.

Arm Mounting Swingaway Hardware

ASBA and ADJASBA Seats



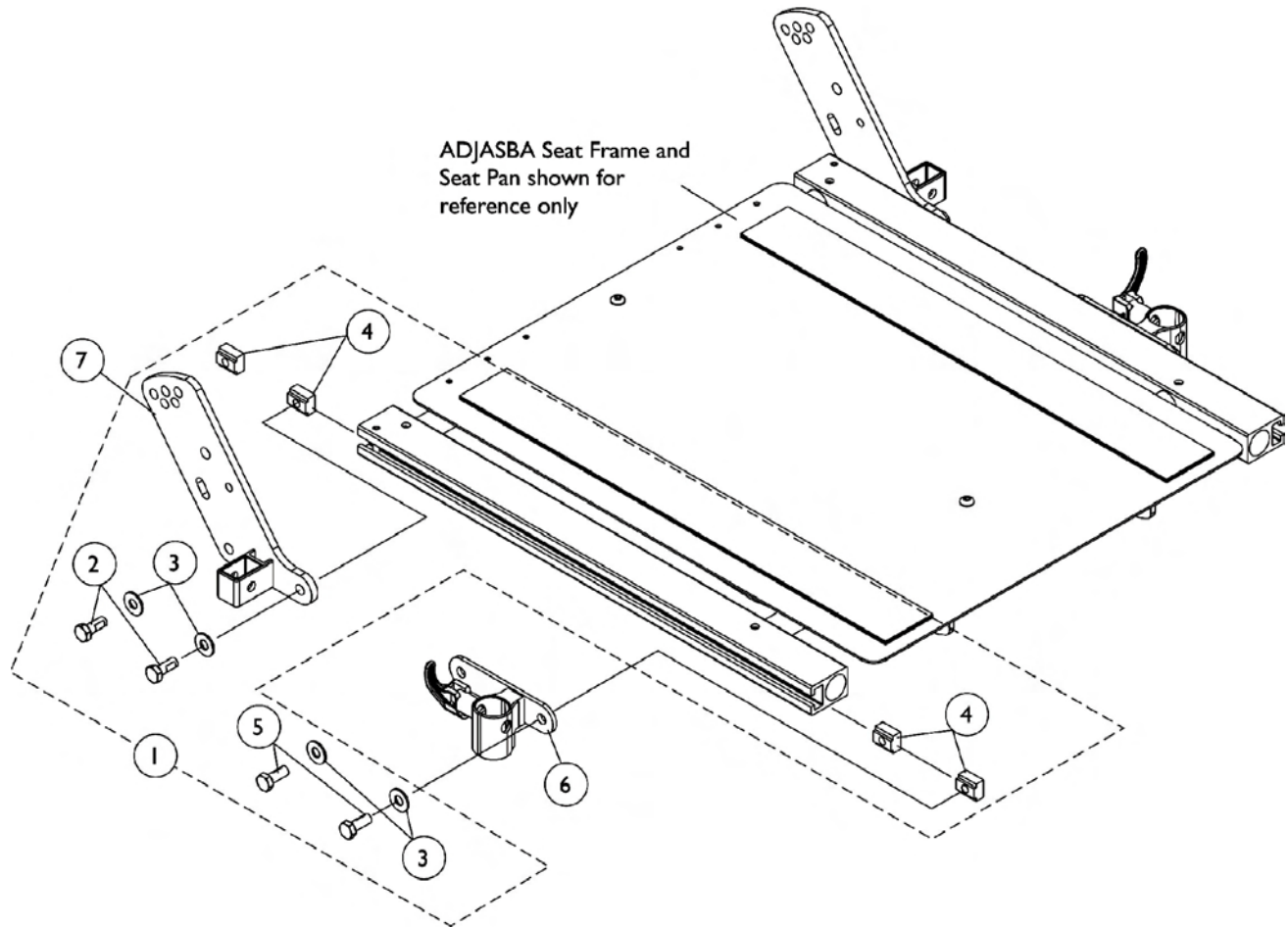
Arm Mounting Swingaway Hardware ASBA and ADJASBA Seats

Item Number	Note	Part Number	Description	Quantity Per	
				Package	Assembly
1	A	1068488	Kit, Swingaway Armrest Mounting Hardware	1	1
2		1019590	Screw, Socket Button Head (1/4-20 x 1-5/8")	1	1
3		1068025	Clevis, Pivot	1	1
4		1025195	Locknut (1/4-20)	1	1
5		1068039	Pin, Pull	1	1

NOTE: A - Includes items 2-5

Front/Rear Arm Socket Assembly and Hardware

ADJASBA Seat (16"-22" Wide) (After 7/4/05)



Front/Rear Arm Socket Assembly and Hardware ADJASBA Seat (16"-22" Wide) (After 7/4/05)

Item Number	Note	Part Number	Description	Quantity Per	
				Package	Assembly
1	A	1125734	Kit, Front/Rear Arm Socket Assembly Mounting Hardware	1	1
2			Screw, Hex Head Cap with Patch (5/16-18 x 3/4")	1	2
3			Washer (5/16 x 3/4 x 1/16")	1	4
4			T-Nut (5/16-18)	1	4
5			Screw, Hex Head (5/16-18 x 5/8")	1	2
6		1122619	Socket, Front Arm - Right	1	1
6		1122620	Socket, Front Arm - Left	1	1
7		1125478	Socket, Rear Arm - Right	1	1
7		1125479	Socket, Rear Arm - Left	1	1

NOTE: A - Includes items 2-5

Front Riggings Reference Chart

NOTE: Calf pads with attaching hardware not included on legrest.

NOTE: Pivot/ Slide tube attaching hardware not included.

NOTE: Pivot/ Slide tube and footplates do not include heel loops. See footrest and legrest accessories.

NOTE: Pivot/ Slide tube and footplates are interchangeable with the support assemblies listed above them.

C=1651 Composite footplate with 9-7/8" curved pivot/ slide tube.
AT5543=Adjustable angle footplate with 9-7/8" straight pivot/ slide tube.
1450=Deluxe aluminum footplate with "L" style pivot/ slide tube.
1350=Extra large footplate with "L" style pivot/ slide tube.

Support Assemblies - AT5544, 60HD, 70NHD, PW93, PW93E, 60MFX

Side	AT5544 Supports	60HD Supports	70NHD Supports	PW93 Supports	PW93E Supports	60 MFX Supports
Right	8881045291 <small>See Note(s) A</small>	8881053158 <small>See Note(s) A</small>	8881053149 <small>See Note(s) A</small>	8881070776 <small>See Note(s) A</small>	8881070768 <small>See Note(s) A</small>	8881026998 <small>See Note(s) A</small>
Left	8881045292 <small>See Note(s) A</small>	8881053157 <small>See Note(s) A</small>	8881053148 <small>See Note(s) A</small>	8881070777 <small>See Note(s) A</small>	8881070769 <small>See Note(s) A</small>	8881026999 <small>See Note(s) A</small>

NOTE: A - Specify frame color when ordering.

Pivot/ Slide Tube with Footplates

Side	C 13-14" W	C 15-16" W	C 17-22" W	1350 17-22" W	AT5543 12-13" W	AT5543 14-15" W	AT5543 16-22" W
Right	1057859	1057869	1057879	1026395	1060442	1060444	1062756
Left	1057860	1057870	1057880	1026396	1060443	1060445	1062757
Right 2" Longer	1057861	1057871	1057881	1086515	N/A	1062758	1062760
Left 2" Longer	1057862	1057872	1057882	1086517	N/A	1062759	1062761
Right 4" Longer	1058419	1058421	1058423	1086516	N/A	N/A	N/A
Left 4" Longer	1058420	1058422	1058424	1086518	N/A	N/A	N/A

Front Riggings Reference Chart

NOTE: Calf pads with attaching hardware not included on legrest.

NOTE: Pivot/ Slide tube attaching hardware not included.

NOTE: Pivot/ Slide tube and footplates do not include heel loops. See footrest and legrest accessories.

NOTE: Pivot/ Slide tube and footplates are interchangeable with the support assemblies listed above them.

Support Assembly - AT5544

Side	Part Number
Right	8881045291 See Note(s) A
Left	8881045292 See Note(s) A

NOTE: A - Specify frame color when ordering.

Pivot/ Slide Tube and Footplates

1450 16-22" W

Side	Part Number
Right	1028723
Left	1028724

1650 = Aluminum footplate with "L" style pivot/ slide tube.
1450 = Deluxe aluminum footplate with "L" style pivot/ slide tube.
1350 = Extra large footplate with "L" style pivot/ slide tube.
AT5543 = Adjustable angle footplate with 9-7/8" straight pivot/ slide tube.

Front Riggings Reference Chart

NOTE: Calf pads with attaching hardware not included on legrest.

NOTE: Pivot/ Slide tube attaching hardware not included.

NOTE: Pivot/ Slide tube and footplates do not include heel loops. See footrest and legrest accessories.

NOTE: Pivot/ Slide tube and footplates are interchangeable with the support assemblies listed above them.

Support Assemblies - P904A

Side	Part Number
Right	8881058646 See Note(s) A
Left	8881058647 See Note(s) A

NOTE: A - Specify frame color when ordering.

Pivot/Slide Tube and Footplates

Side	1650 14-15" W	1650 16-22" W	1450 16-22" W	1350 17-22" W	AT5543 14-15" W	AT5543 16-22" W
Right	1058612	1058604	1028723	1058830	1060444	1062756
Left	1058613	1058605	1028724	1058831	1060445	1062757
Right 2" Longer	N/A	1086529	N/A	1086541	1062758	1062760
Left 2" Longer	N/A	1086531	N/A	1086551	1062759	1062761
Right 4" Longer	N/A	1086530	N/A	1086542	N/A	N/A
Left 4" Longer	N/A	1086532	N/A	1086552	N/A	N/A

Support Assemblies - PAS4A/PAL4A

Side	Part Number
Right	1058482
Left	1058483

Front Riggings Reference Chart

NOTE: Calf pads with attaching hardware not included on legrest.

NOTE: Pivot/ Slide tube attaching hardware not included.

NOTE: Pivot/ Slide tube and footplates do not include heel loops. See footrest and legrest accessories.

NOTE: Pivot/ Slide tube and footplates are interchangeable with the support assemblies listed above them.

Pivot/ Slide Tube and Footplates

Side	1650 14-15" W	1650 16-22" W	1450 16-22" W	1350 17-22" W	AT5543 14-15" W	AT5543 16-22" W
Right	1023905	1023907	1023924	1035456	1091775	1091777
Left	1023906	1023908	1023925	1035457	1091776	1091778

C = 1651 Composite footplate with 9-7/8" curved pivot/ slide tube.
AT5543 = Adjustable angle footplates with 9-7/8" straight pivot/ slide tube.
1650 = Aluminum footplate with "L" style pivot/ slide tube.
1450 = Deluxe aluminum footplate with "L" style pivot/ style tube.
1350 = Extra large footplate with "L" style pivot/ slide tube.
AT5043 = Flip up footplates without pivot/ slide tubes.

Support Assemblies - P93M

Side	Part Number
Right	8881037836 See Note(s) A
Left	8881037837 See Note(s) A

NOTE: A - Specify frame color when ordering.

Front Riggings Reference Chart

NOTE: Calf pads with attaching hardware not included on legrest.

NOTE: Pivot/ Slide tube attaching hardware not included.

NOTE: Pivot/ Slide tube and footplates do not include heel loops. See footrest and legrest accessories.

NOTE: Pivot/ Slide tube and footplates are interchangeable with the support assemblies listed above them.

Pivot/ Slide Tube and Footplates

Side	1650 14-15" W	1650 16-22" W	1450 16-22" W	1350 17-22" W
Right	1058573	1057969	1028892	1031924
Left	1058574	1057970	1028893	1031925
Right 2" Longer	N/A	N/A	N/A	1086519
Left 2" Longer	N/A	N/A	N/A	1086523
Right 4" Longer	N/A	N/A	N/A	1086520
Left 4" Longer	N/A	N/A	N/A	1086524

Support Assemblies - 70MFX and 90 SWING

Side	70 MFX	90 SWING
Right	8881047481 See Note(s) A	8881062596 See Note(s) A
Left	8881047480 See Note(s) A	8881062597 See Note(s) A

NOTE: A - Specify frame color when ordering.

Footrest Tube and Footplates

For AT5043 and AT5543

Side	AT5043 12-16" W	AT5543 12-13" W	AT5543 14-15" W	AT5543 17-22" W
Right	1029434	1060436	1060438	1062570
Left	1029435	1060437	1060439	1062571

Front Riggings Reference Chart

NOTE: Calf pads with attaching hardware not included on legrest.

NOTE: Pivot/ Slide tube attaching hardware not included.

NOTE: Pivot/ Slide tube and footplates do not include heel loops. See footrest and legrest accessories.

NOTE: Pivot/ Slide tube and footplates are interchangeable with the support assemblies listed above them.

Support Assemblies - PW93ST and 70ST TAPER

Side	PW93ST	70ST TAPER
Right	8881070784 See Note(s) A	8881026996 See Note(s) A
Left	8881070785 See Note(s) A	8881026997 See Note(s) A

NOTE: A - Specify frame color when ordering.

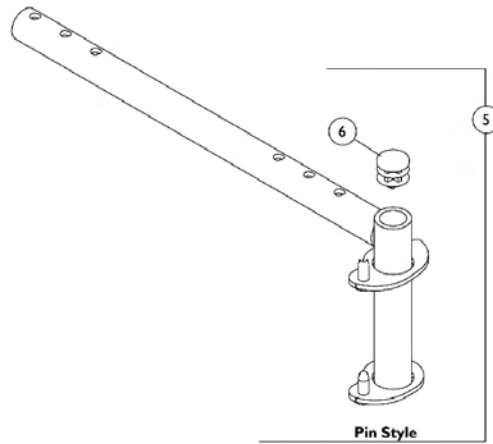
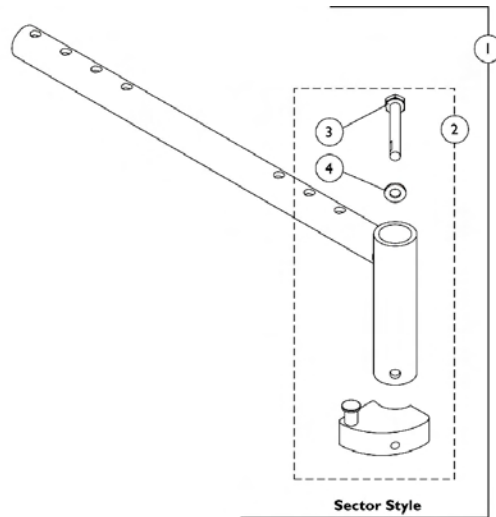
Pivot/ Slide Tube and Footplates

Side	C 15-17" W	C 18-19" W	C 20-22" W
Right	1057859	1057869	1057879
Left	1057860	1057870	1057880
Right 2" Longer	1057861	1057871	1057881
Left 2" Longer	1057862	1057872	1057882

Front Rigging Hanger Assembly

Pin/Sector Style For ASBA Seat (12-15" Wide) & (16-22" Wide Before 7/5/05)

NOTE: Front rigging hanger assemblies and seat pans share the same mounting hardware, see Seat Pan and Mounting Hardware page.



Front Rigging Hanger Assembly

Pin/Sector Style For ASBA Seat (12-15" Wide) & (16-22" Wide Before 7/5/05)

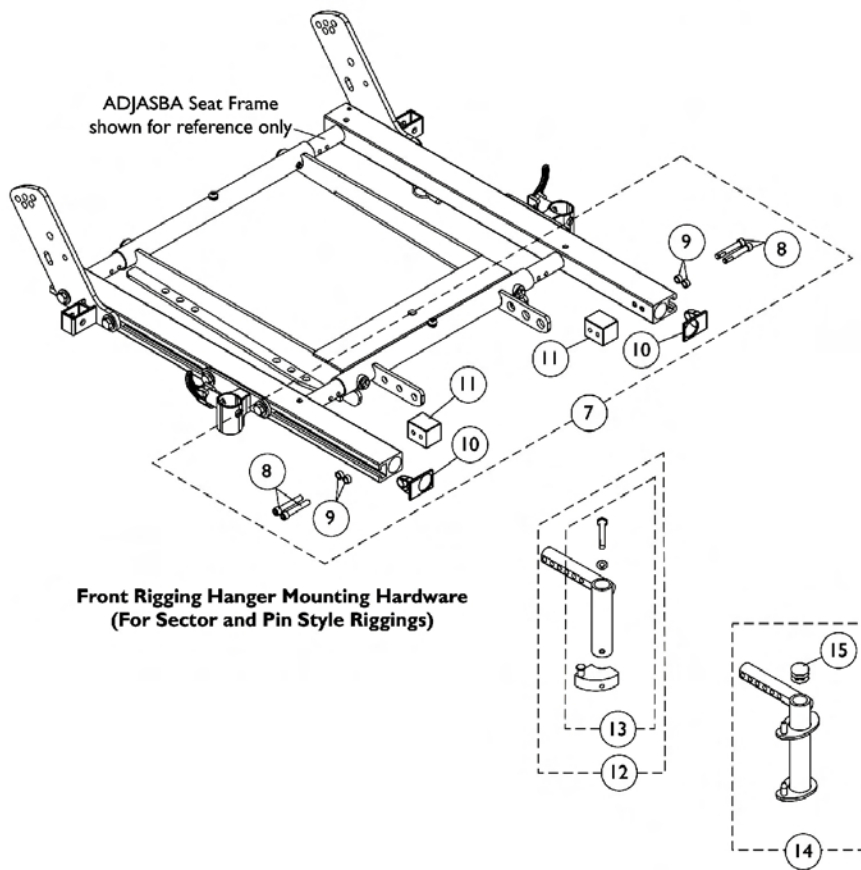
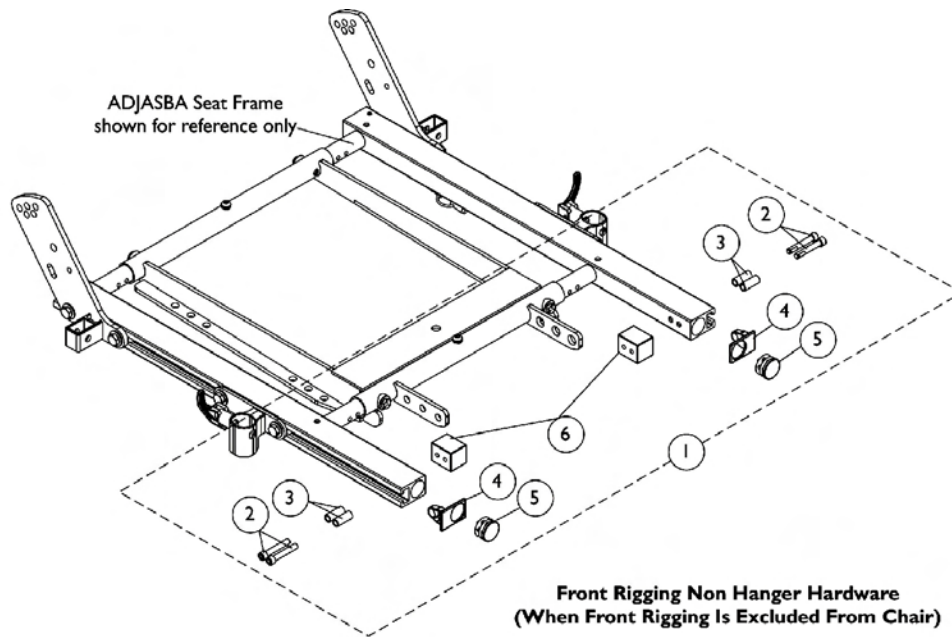
NOTE: Front rigging hanger assemblies and seat pans share the same mounting hardware, see Seat Pan and Mounting Hardware page.

Item Number	Note	Part Number	Description	Quantity Per	
				Package	Assembly
1	A	1068435	Front Rigging Hanger Assembly, Sector Style (12-21" Deep) - Right	1	1
1	A	1068436	Front Rigging Hanger Assembly, Sector Style (12-21" Deep) - Left	1	1
1	A	1068437	Front Rigging Hanger Assembly, Sector Style (22" Deep) - Right	1	1
1	A	1068438	Front Rigging Hanger Assembly, Sector Style (22" Deep) - Left	1	1
2	B	1054571	Kit, Sector Block - Right	1	1
2	B	1054572	Kit, Sector Block - Left	1	1
3		1052957	Screw, Hex Head (1/4-20 x 2")	1	1
4		1026907	Washer (1/4 x 1/2 x 1/16")	1	1
5	C	1070356	Hanger Assembly, Front Rigging, Pin Style - (12-21" Deep), Right	1	1
5	C	1070357	Hanger Assembly, Front Rigging, Pin Style - (12-21" Deep), Left	1	1
5	C	1070358	Hanger Assembly, Front Rigging, Pin Style - (22" Deep), Right	1	1
5	C	1070359	Hanger Assembly, Front Rigging, Pin Style - (22" Deep), Left	1	1
6		1027097	Plug Button, Black (3/4")	1	1

NOTE: A - Includes item 2
 B - Includes the sector block and items 3 and 4
 C - Includes item 6

Front Rigging Hangers and Hardware

Pin & Sector Style For ADJASBA Seat (16"-22" Wide) (After 7/4/05)

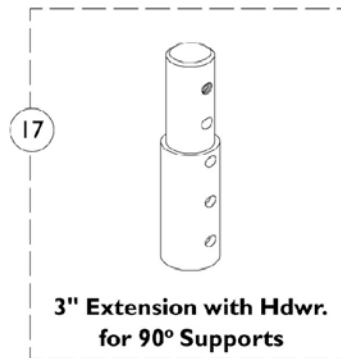
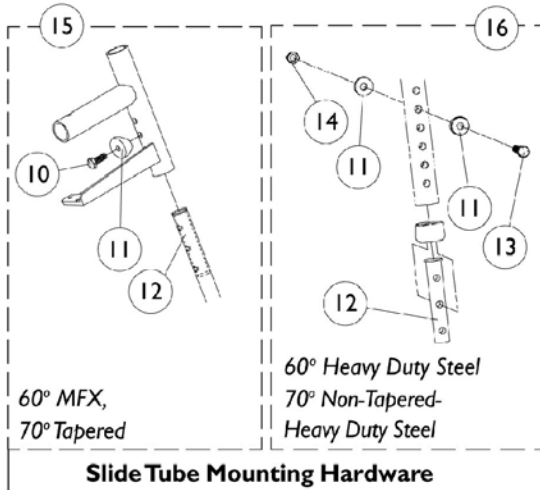
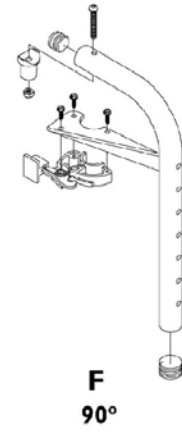
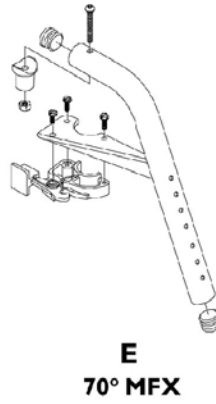
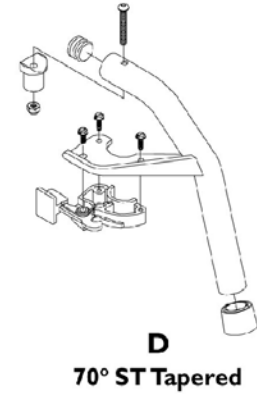
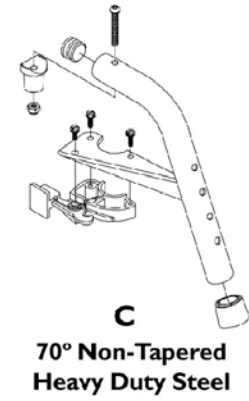
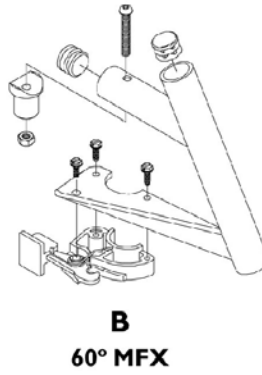
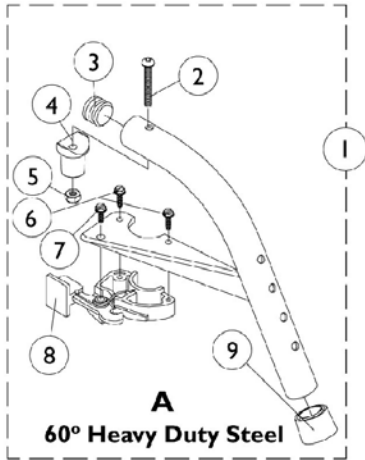


Front Rigging Hangers and Hardware

Pin & Sector Style For ADJASBA Seat (16"-22" Wide) (After 7/4/05)

Item Number	Note	Part Number	Description	Quantity Per	
				Package	Assembly
1	A	1124723	Kit, Side Rail Cap Hardware (Pair)	1	1
2			Screw, Socket Head Cap w/ Patch (1/4-20 x 1-1/2")	1	4
3			Spacer (1/4 x 3/8 x 29/32")	1	4
4			Cap, Side Rail End	1	2
5			Plug Button, Black (1")	1	2
6			Block, Threaded	1	2
7	B	1125726	Kit, Front Rigging Hanger Mounting Hardware (Pair)	1	1
8			Screw, Socket Head Cap w/ Patch (1/4-20 x 1-1/2")	1	4
9			Spacer (1/4 x 3/8 x 3/16")	1	4
10			Cap, Side Rail End	1	2
11			Block, Threaded	1	2
12	C	1122602	Front Rigging Hanger Asbly., Sector Style - Right	1	1
12	C	1122603	Front Rigging Hanger Asbly., Sector Style - Left	1	1
13	D	1054571	Kit, Sector Block - Right	1	1
13	D	1054572	Kit, Sector Block - Left	1	1
14		1136006	Front Rigging Hanger, Pin Style with Plug Button (Adult) - Right	1	1
14		1136007	Front Rigging Hanger, Pin Style with Plug Button (Adult) - Left	1	1
15		1134426	Package, Plug Buttons, Black (3/4")	10	1
NOTE: A - Includes items 2-6 B - Includes items 8-11 C - Includes Front Rigging Hanger and item 13 D - Includes the Sector Block, Screw and Washer					

Footrest Support Assemblies (Sector Style)



Footrest Support Assemblies (Sector Style)

Item Number	Note	Part Number	Description	Quantity Per	
				Package	Assembly
1	A,D	8881053158	Footrest Support Assembly, 60° Heavy Duty, Sector, Color - Right	1	1
1	A,D	8881053157	Footrest Support Assembly, 60° Heavy Duty, Sector, Color - Left	1	1
1	A,E	8881026998	Footrest Support Assembly, 60° MFX, Sector, Color - Right	1	1
1	A,E	8881026999	Footrest Support Assembly, 60° MFX, Sector, Color - Left	1	1
1	A,F	8881053149	Footrest Support Assembly, 70° Non-Tapered Heavy Duty, Sector, Color - Right	1	1
1	A,F	8881053148	Footrest Support Assembly, 70° Non-Tapered Heavy Duty, Sector, Color - Left	1	1
1	A,G	8881026996	Footrest Support Assembly, 70° Tapered, Sector, Color - Right	1	1
1	A,G	8881026997	Footrest Support Assembly, 70° Tapered, Sector, Color - Left	1	1
1	A,H	8881047481	Footrest Support Assembly, 70° MFX, Sector, Color - Right	1	1
1	A,H	8881047480	Footrest Support Assembly, 70° MFX, Sector, Color - Left	1	1
1	A,I	8881062596	Footrest Support Assembly, 90°, Sector, Color - Right	1	1
1	A,I	8881062597	Footrest Support Assembly, 90°, Sector, Color - Left	1	1
2		7930321	Screw, Socket Button Head (1/4-20 x 1-7/8")	25	1
3		1029501	Plug Button, Black (1")	1	1
4		1017148	Plug, Pivot	1	1
5		7930333	Locknut (1/4-20)	25	1
6		1025451	Screw, Slotted Hex Washer Head (#10-32 x 5/8")	1	2
7		7930314	Screw, Slotted Hex Head (#10-32 x 1/2")	25	1
8		1025454	Latch Housing - Right	1	1
8		1025455	Latch Housing - Left	1	1
9		1026124	Anti-Rattle Collar	1	1
10		1045267	Screw, Hex Head (1/4-20 x 3/4")	1	1
11	C	1026099	Spacer, Coved (1/4 x 11/16 x 1/2")	1	2
12		1020534	Insert, Threaded	1	1
13		1070759	Screw, Hex Head (1/4-20 x 1-1/2")	1	1
14		7930338	Nut, Acorn (1/4-20)	25	1
15		1026703	Kit, Pivot/Slide Tube Mounting Hardware (Pair)	2	1
16		1057846	Kit, Pivot/Slide Tube Mounting Hardware (Pair)	2	1
17	A	8881038231	Kit, 3" Extension w/ Hardware (Pair)	2	1
	B	1026987	Impact Guard, 8" Long	1	1

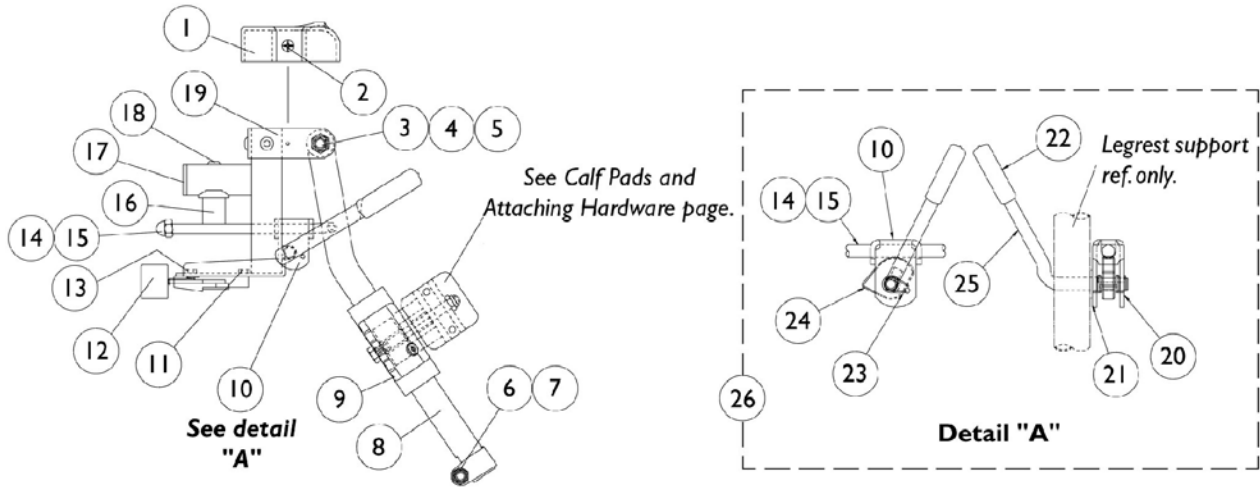
Footrest Support Assemblies (Sector Style)

NOTE: A - Specify frame color when ordering
B - Not Shown
C - Item 16 takes 4
D - See image "A"
E - See image "B"
F - See image "C"
G - See image "D"
H - See image "E"
I - see image "F"

AT5544 Legrest Supports

Sector Style

12"-24" Wide Chairs



AT5544 Legrest Supports

Sector Style

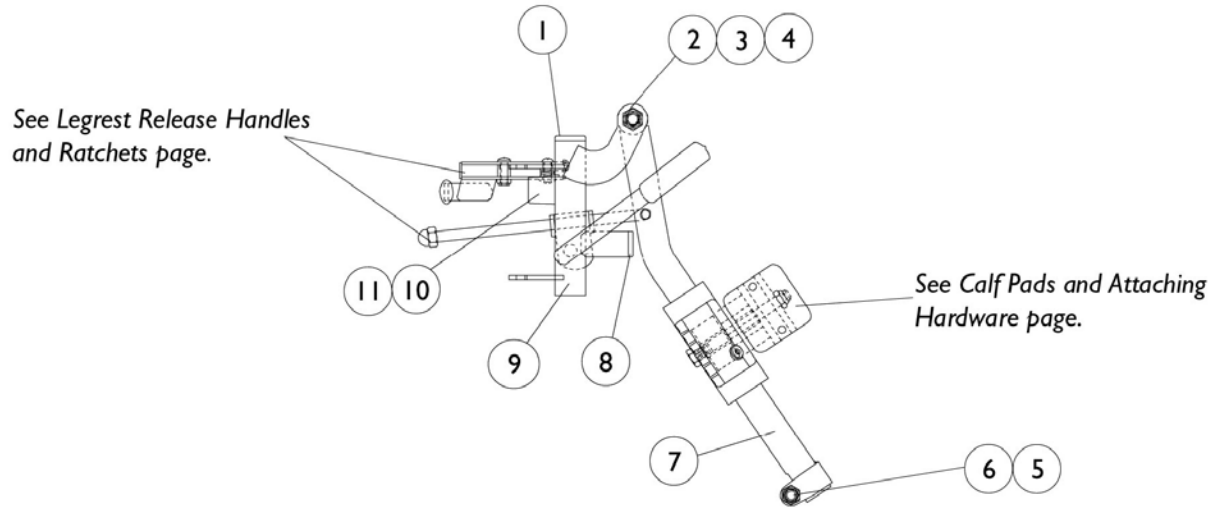
12"-24" Wide Chairs

Item Number	Note	Part Number	Description	Quantity Per	
				Package	Assembly
1		1017187	Cover, Top	1	1
2		1028529	Screw, Phillips Pan Head (#8-32 x 3/8")	1	2
3		40363X000	Hex Nut (3/8"-16)	1	1
4		1058636	Washer, Nylon (25/64 x 7/8 x 1/32")	1	2
5		11919X000	Screw, Truss Head (3/8-16 x 1-1/2")	1	1
6		7930330	Locknut (5/16-24)	25	3
7		1026030	Screw, Lug (5/16-24 x 1-3/8")	1	1
8		1043556	Tube, Elevating Support (Black) - Right	1	1
8		1043557	Tube, Elevating Support (Black) - Left	1	1
8		8881048851	Tube, Elevating Support (Color) - Right	1	1
8		8881048852	Tube, Elevating Support (Color) - Left	1	1
9		1032266	Bracket, Legrest Pad Mounting	1	1
10		04528X002	Bracket, Release (Chrome)	1	1
11		1025451	Screw, Slotted Hex Washer Head (#10-32 x 5/8")	1	2
12		1025454	Latch Housing - Right	1	1
12		1025455	Latch Housing - Left	1	1
13		7930314	Screw, Slotted Hex Head (#10-32 x 1/2")	25	1
14		42326X001	Bar, Ratchet	1	1
15		7930336	Nut, Acorn (5/16-24)	25	1
16		1017148	Plug, Pivot	1	1
17		1029501	Plug Button, Black (1")	1	1
18		7930301	Package, Button Head Cap Screws (1/4-20 x 1-3/4")	25	1
19	A	8881045289	Bracket, Legrest Support - Right	1	1
19	A	8881045290	Bracket, Legrest Support - Left	1	1
10		1040831	Snap Ring	1	1
21		7930310	Washer, Nylon (5/16 x 11/16 x 1/16")	25	1
22		1040060	Tip, Black Plastic	1	1
23		1037485	Spring, Release	1	1
24		1037125	Cam, Legrest	1	1
25		1037126	Handle, Release	1	1
26	C	1096974	Kit, Ratchet Elevating Legrest	2	1
	B	1096943	Instruction Sheet, Ratchet Kit	1	1
	A,B	8881045291	Legrest Support Assembly, Sector, Color - Right	1	1
	A,B	8881045292	Legrest Support Assembly, Sector, Color - Left	1	1

NOTE: A - Specify frame color when ordering
 B - Not shown
 C - Includes items 10, 14, 15 and 20-25

P904A Legrest Supports

(Pin Style)



P904A Legrest Supports

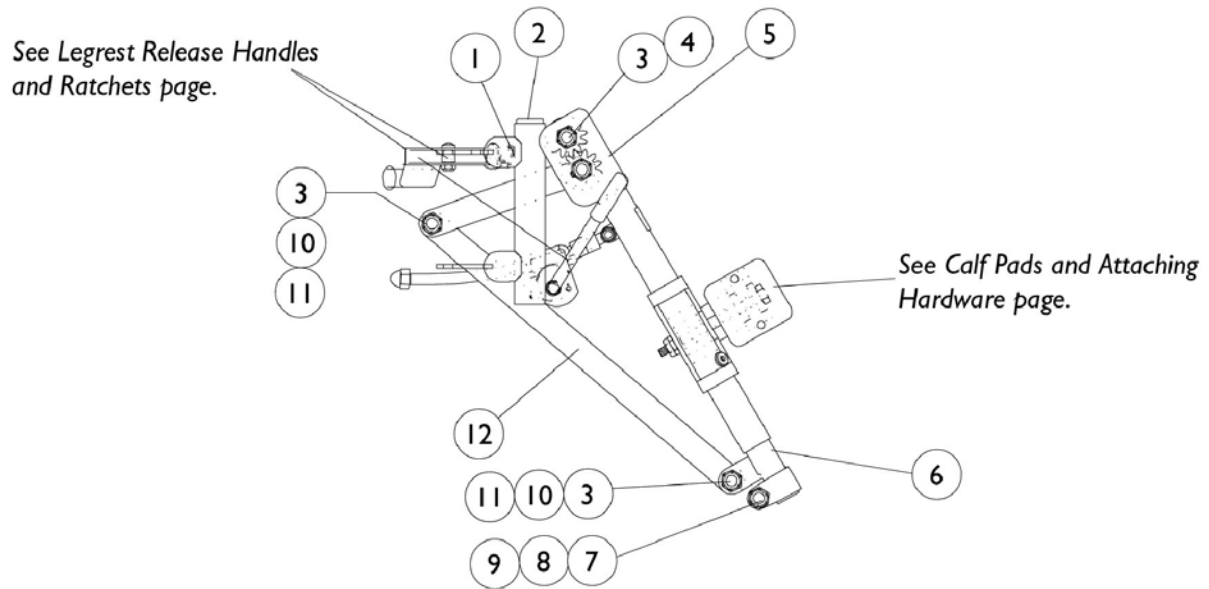
(Pin Style)

Item Number	Note	Part Number	Description	Quantity Per	
				Package	Assembly
1		1027095	Plug Button, Black (7/8")	1	1
2		11919X000	Screw, Truss Head (3/8-16 x 1-1/2")	1	1
3		1058636	Washer, Nylon (25/64 x 7/8 x 1/32")	1	2
4		40363X000	Hex Nut (3/8"-16)	1	1
5		7930330	Locknut (5/16-24)	25	1
6		1026030	Screw, Lug (5/16-24 x 1-3/8")	1	1
7		8881048851	Tube, Elevating Support (Color) - Right	1	1
7		8881048852	Tube, Elevating Support (Color) - Left	1	1
8		1027097	Plug Button, Black (3/4")	1	1
9		8881058664	Tube, Legrest Support (Color) - Right	1	1
9		8881058665	Tube, Legrest Support (Color) - Left	1	1
10		1022874	Bumper	1	1
11		1030979	Screw, Phillips Pan Head Tap (#10-32 x 3/4")	1	1
	A,B	8881058646	Legrest Support Assembly w/o Pad, Adult, Color - Right	1	1
	A,B	8881058647	Legrest Support Assembly w/o Pad, Adult, Color - Left	1	1

NOTE: A - Specify frame color when ordering.
B - Not Shown

PAS4A/ PAL4A Articulating Legrests

(Pin Style)



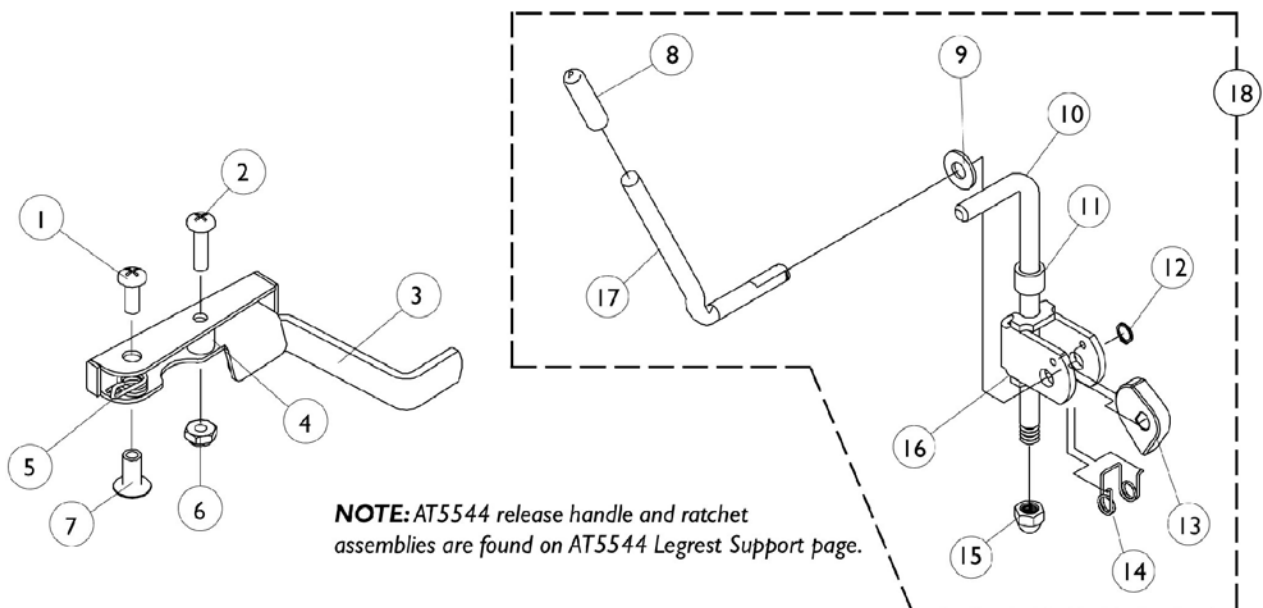
PAS4A/ PAL4A Articulating Legrests

(Pin Style)

Item Number	Note	Part Number	Description	Quantity Per	
				Package	Assembly
1		1058478	Tube, Legrest Support, Right	1	1
1		1058479	Tube, Legrest Support, Left	1	1
2		1027097	Plug Button, Black (3/4")	1	1
3		40363X000	Hex Nut (3/8"-16)	3	3
4		1022854	Screw, Slotted Head Shoulder (1/2 x 1-1/8")	1	1
5		1022877	Tube Support and Drive Link - Right	1	1
5		1022878	Tube Support and Drive Link - Left	1	1
6		1022848	Slide Tube, Articulating (Chrome) - Right	1	1
6		1022849	Slide Tube, Articulating (Chrome) - Left	1	1
7		1027377	Washer (#20)	1	1
8		7930363	Package, Locknut (5/16"-24)	25	1
9		11232X009	Screw, Lug (5/16-24 x 1-3/8")	1	1
10		1022866	Screw, Socket Button Head (3/8-16 x 3/4")	2	2
11		1049527	Washer, Nylon (3/8 x 3/4 x 1/16")	2	2
12		1022846	Bar, Link, Chrome	1	1
	A	1058482	Legrest Support, Articulating (Chrome) - Right	1	1
	A	1058483	Legrest Support, Articulating (Chrome) - Left	1	1

NOTE: A - Not Shown

Legrest Release Handles and Ratchets

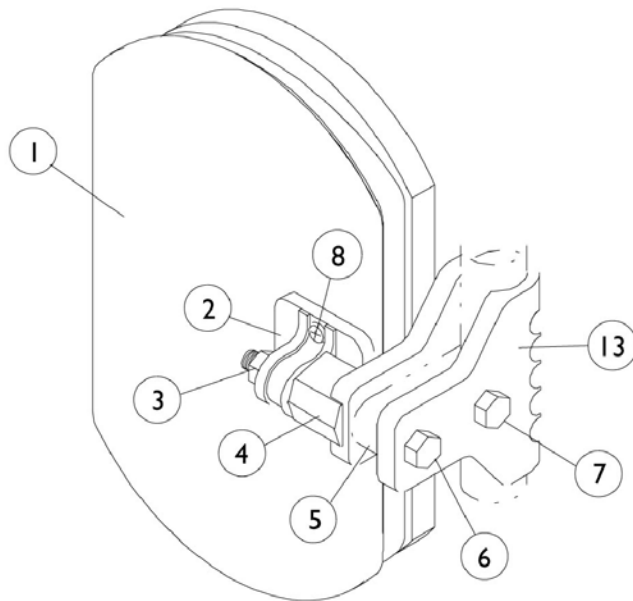


NOTE: AT5544 release handle and ratchet assemblies are found on AT5544 Legrest Support page.

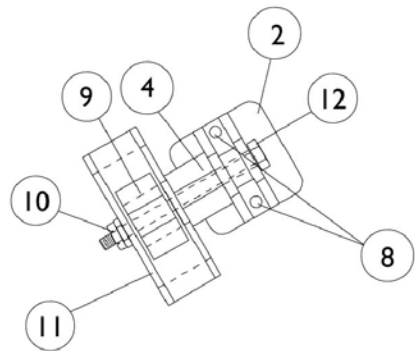
Legrest Release Handles and Ratchets

Item Number	Note	Part Number	Description	Quantity Per	
				Package	Assembly
1		7930328	Screw, Phillips Pan Head (#10-32 x 11/16")	25	1
2		7930335	Screw, Phillips Pan Head (#10-32 x 1/2")	25	1
3		1035539	Handle, Release (Black) - Right	1	1
3		1035540	Handle, Release (Black) - Left	1	1
4		47565X057	Bushing (7/32 x 3/8 x 11/32")	1	1
5		1028707	Spring, Release - Right	1	1
5		1028708	Spring, Release - Left	1	1
6		7930332	Locknut, High Profile (#10-32)	25	1
7		1028846	Rivnut (#10-32)	1	1
8		1040060	Tip, Black Plastic	1	1
9		7930310	Washer, Nylon (5/16 x 11/16 x 1/16")	25	1
10		42326X004	Bar, Ratchet - Right/Left	1	1
10		1023811	Bar, Ratchet - Right	1	1
10		1023812	Bar, Ratchet - Left	1	1
11		47328X003	Bushing, Pivot (5/16 x 7/16 x 7/8")	1	1
12		1040831	Snap Ring	1	1
13		1037125	Cam, Legrest	1	1
14		1037485	Spring, Release	1	1
15		7930336	Nut, Acorn (5/16-24)	25	1
16		04528X002	Bracket, Release (Chrome)	1	1
17		1037126	Handle, Release	1	1
18		1046329	Kit, Elevating Legrest Ratchet Hardware	2	1
18		1046331	Kit, Articulating Legrest Ratchet Hardware	2	1

Calf Pads and Attaching Hardware



P904A and AT5544
Legrest.



PAS4A/PAL4A
Articulating Legrest

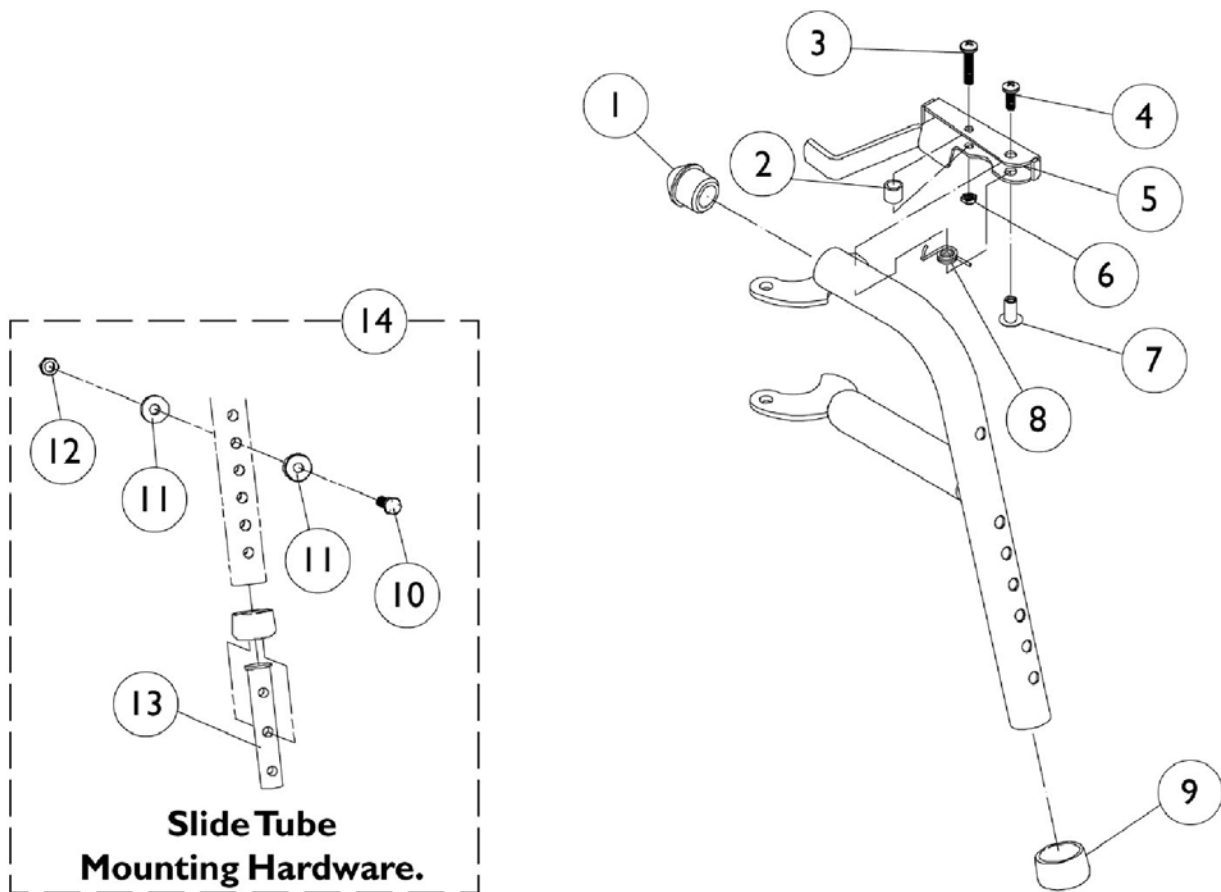
Calf Pads and Attaching Hardware

Item Number	Note	Part Number	Description	Quantity Per	
				Package	Assembly
1	A	8881091759	Pad w/Cover and Screws, Legrest Vinyl (Pair)	2	1
1	A	8881091764	Pad, Legrest Vinyl - Right/Left	1	1
1		01415X000-NLA	Cover, Legrest Pad	1	1
1	A	88804529X003	Pad, Legrest Vinyl - Right	1	1
1	A	88804529X004	Pad, Legrest Vinyl - Left	1	1
2		04526X019	Plate, Legrest Pad	1	1
3		7930330	Locknut (5/16-24)	25	1
4		1025133	Spacer, Legrest Pad	1	1
5		1032267	Spacer, Legrest Pad Mounting	1	1
6		1037110	Screw, Hex Head (5/16-24 x 3-1/2")	1	1
7		1028514	Screw, Hex Head (5/16-24 x 1-1/2")	1	1
8		1066591	Screws, Phillips Head (#10-32 x 11/16")	2	1
9		48823X008	Spring, Leaf	1	1
10		7930363	Package, Locknut (5/16"-24)	25	2
11		1025104	Bracket, Legrest (Chrome)	1	1
12		1014807	Screw, Hex Head (5/16-24 x 3-1/4")	1	1
13		1032266	Bracket, Legrest Pad Mounting	1	1

NOTE: A - Specify U67 black upholstery color when ordering.

PW93 Footrest Supports

(Pin Style)



PW93 Footrest Supports

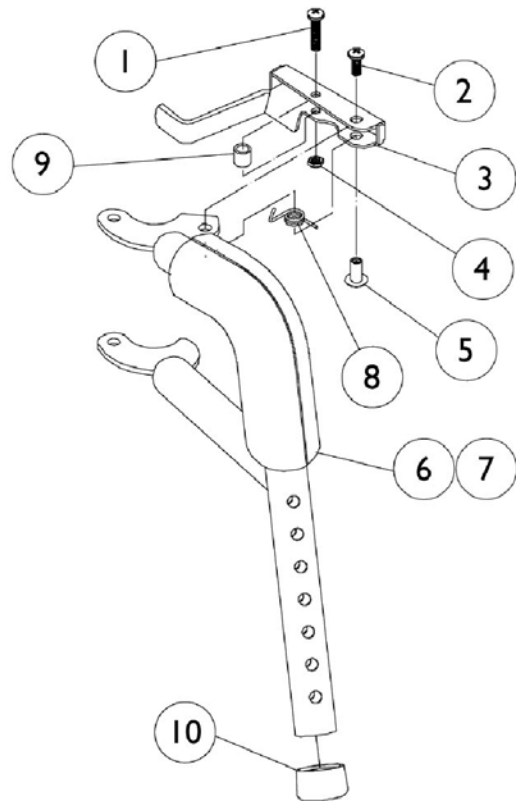
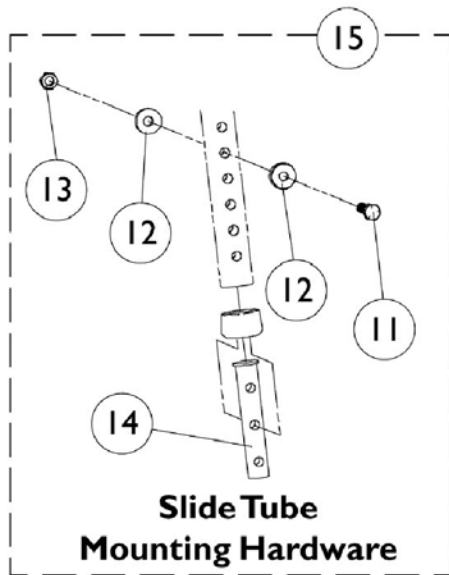
(Pin Style)

Item Number	Note	Part Number	Description	Quantity Per	
				Package	Assembly
1		1020719	Anti-Rattle, Black	1	1
2		47565X057	Bushing (7/32 x 3/8 x 11/32")	1	1
3		7930328	Screw, Phillips Pan Head (#10-32 x 11/16")	25	1
4		7930335	Screw, Phillips Pan Head (#10-32 x 1/2")	25	1
5		1035539	Handle, Release (Black) - Right	1	1
5		1035540	Handle, Release (Black) - Left	1	1
6		7930332	Locknut, High Profile (#10-32)	25	1
7		1028846	Rivnut (#10-32)	1	1
8		1028707	Spring, Release - Right	1	1
8		1028708	Spring, Release - Left	1	1
9		15680X012	Collar, Anti-Rattle (7/8")	1	1
10		1070759	Screw, Hex Head (1/4-20 x 1-1/2")	1	1
11		1026099	Spacer, Coved (1/4 x 11/16 x 1/2")	1	2
12		7930338	Nut, Acorn (1/4-20)	25	1
13		1020534	Insert, Threaded	1	1
14		1074143	Kit, Slide Tube Mounting Hardware	1	1
	A,B	8881070776	Footrest Support Assembly, Adult, Color - Right	1	1
	A,B	8881070777	Footrest Support Assembly, Adult, Color - Left	1	1

NOTE: A - Specify frame color when ordering.
B - Not Shown

PW93ST Footrest Supports

(Pin Style)
Color



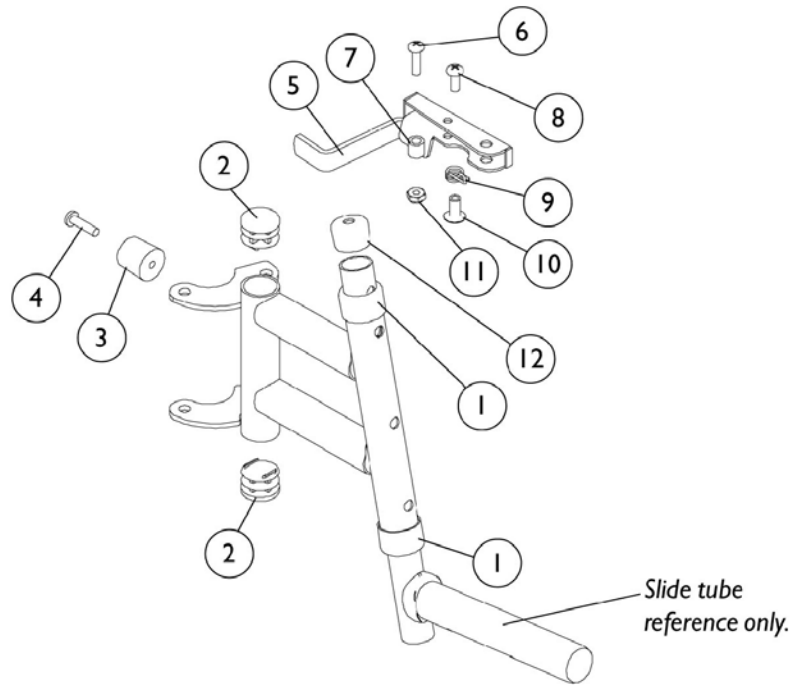
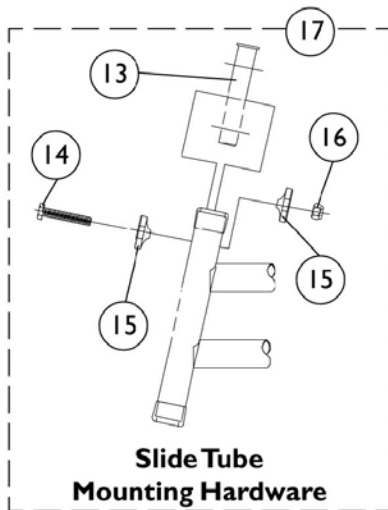
PW93ST Footrest Supports

(Pin Style)
Color

Item Number	Note	Part Number	Description	Quantity Per	
				Package	Assembly
1		7930328	Screw, Phillips Pan Head (#10-32 x 11/16")	25	1
2		7930335	Screw, Phillips Pan Head (#10-32 x 1/2")	25	1
3		1035539	Handle, Release (Black) - Right	1	1
3		1035540	Handle, Release (Black) - Left	1	1
4		7930332	Locknut, High Profile (#10-32)	25	1
5		1028846	Rivnut (#10-32)	1	1
6		1030434	Cushion, Tubular Foam	1	1
7		1030435	Cover, Foam Cushion	1	1
8		1028707	Spring, Release - Right	1	1
8		1028708	Spring, Release - Left	1	1
9		47565X057	Bushing (7/32 x 3/8 x 11/32")	1	1
10		15680X012	Collar, Anti-Rattle (7/8")	1	1
11		1070759	Screw, Hex Head (1/4-20 x 1-1/2")	1	1
12		1026099	Spacer, Coved (1/4 x 11/16 x 1/2")	1	2
13		7930338	Nut, Acorn (1/4-20)	25	1
14		1020534	Insert, Threaded	1	1
15		1074143	Kit, Slide Tube Mounting Hardware	1	1
	A,B	8881070784	Footrest Support Assembly, Adult, Color - Right	1	1
	A,B	8881070785	Footrest Support Assembly, Adult, Color - Left	1	1

NOTE: A - Specify frame color when ordering
B - Not Shown

PW93E Footrest Supports (Pin Style) Color

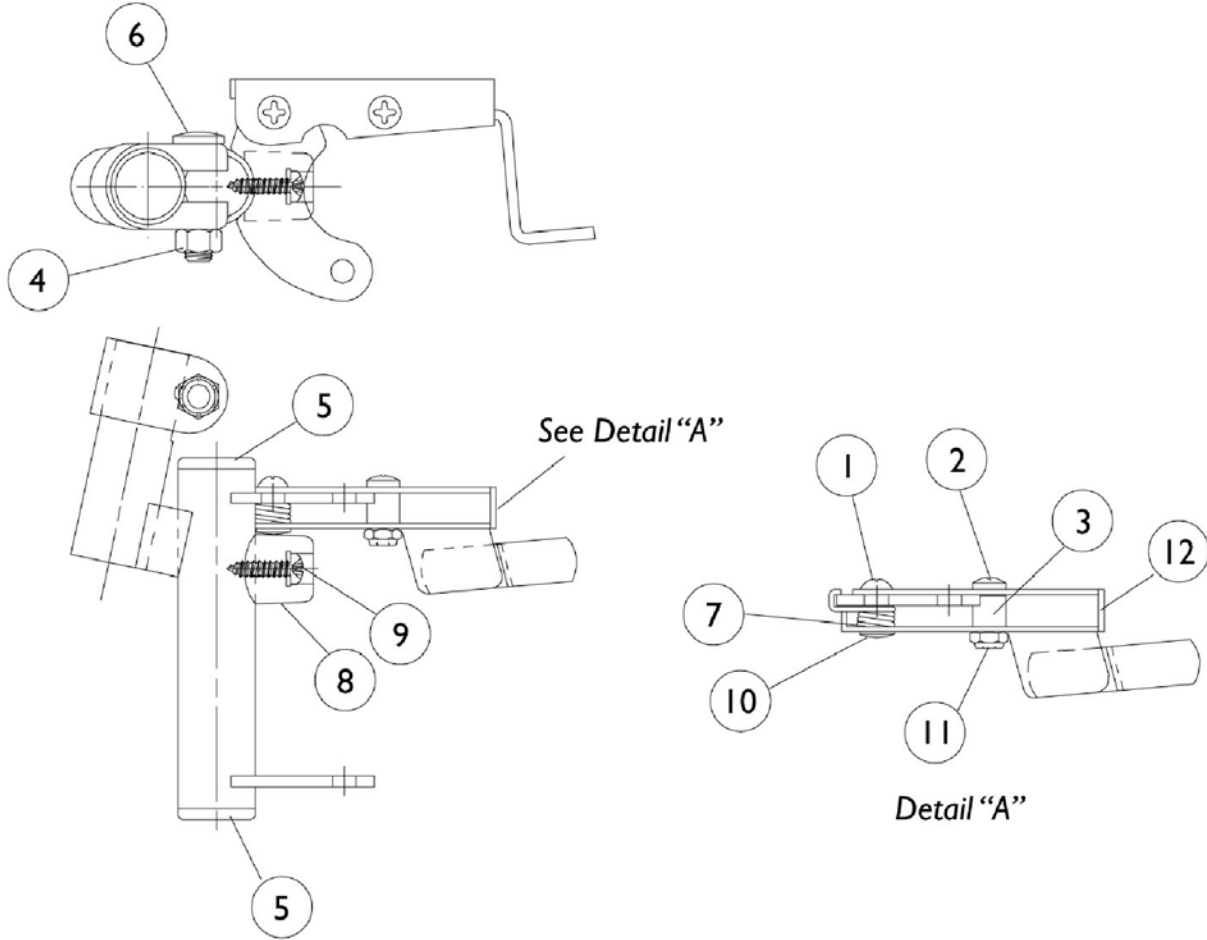


PW93E Footrest Supports (Pin Style) Color

Item Number	Note	Part Number	Description	Quantity Per	
				Package	Assembly
1		15680X012	Collar, Anti-Rattle (7/8")	1	2
2		1027095	Plug Button, Black (7/8")	1	2
3		1022874	Bumper	1	1
4		1030979	Screw, Phillips Pan Head Tap (#10-32 x 3/4")	1	1
5		1035539	Handle, Release (Black) - Right	1	1
5		1035540	Handle, Release (Black) - Left	1	1
6		1025716	Screw, Phillips Pan Head (#10-32 x 11/16")	25	1
7		47565X057	Bushing (7/32 x 3/8 x 11/32")	1	1
8		1026114	Screw, Phillips Pan Head (#10-32 x 1/2")	25	1
9		1028707	Spring, Release - Right	1	1
9		1028708	Spring, Release - Left	1	1
10		1028846	Rivnut (#10-32)	1	1
11		1025735	Locknut (#10-32)	25	1
12		1074108	Cap, End Tube (3/4")	1	1
13		1020534	Insert, Threaded	1	1
14		1070759	Screw, Hex Head (1/4-20 x 1-1/2")	1	1
15		1026099	Spacer, Coved (1/4 x 11/16 x 1/2")	1	2
16		1044214	Nut, Hex with Nylon Cap (1/4-20)	25	1
17		1074143	Kit, Slide Tube Mounting Hardware	1	1
	A,B	8881070768	Footrest Support Assembly, Adult, Color - Right	1	1
	A,B	8881070769	Footrest Support Assembly, Adult, Color - Left	1	1

NOTE: A - Specify frame color when ordering
B - Not Shown

P93M Footrest Supports (Pin Style) Color



P93M Footrest Supports (Pin Style) Color

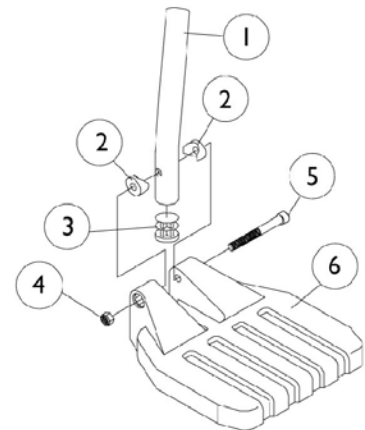
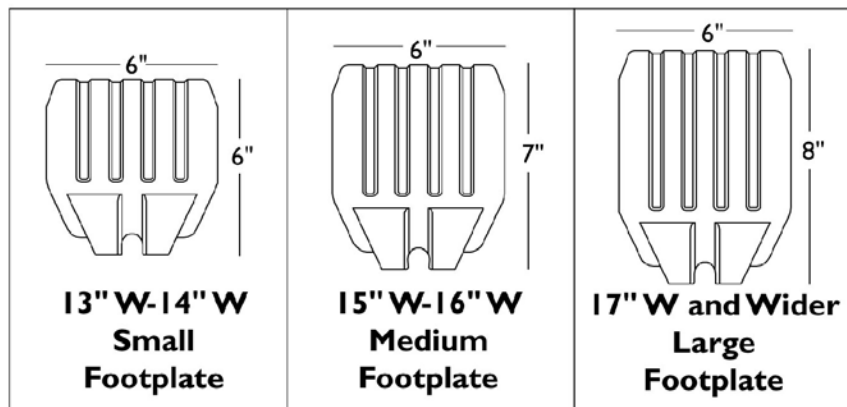
Item Number	Note	Part Number	Description	Quantity Per	
				Package	Assembly
1		7930359	Screw, Phillips Pan Head (#10-32 x 1/2")	25	1
2		7930360	Screw, Phillips Pan Head (#10-32 x 11/16")	25	1
3		47565X057	Bushing (7/32 x 3/8 x 11/32")	1	1
4		1107321	Nut, Low Cap (5/16"-24)	1	1
5		1027095	Plug Button, Black (7/8")	1	2
6		11232X009	Screw, Lug (5/16-24 x 1-3/8")	1	1
7		1008935	Spring, Release - Right	1	1
7		1008936	Spring, Release - Left	1	1
8		1022874	Bumper	1	1
9		1030979	Screw, Phillips Pan Head Tap (#10-32 x 3/4")	1	1
10		67005X000	Rivnut (#10-32)	1	1
11		7930365	Locknut (#10-32)	25	1
12		1035539	Handle, Release (Black) - Right	1	1
12		1035540	Handle, Release (Black) - Left	1	1
	A,B	8881037836	Footrest Support Assembly, Adult, Color - Right	1	1
	A,B	8881037837	Footrest Support Assembly, Adult, Color - Left	1	1

NOTE: A - Specify frame color when ordering
B - Not Shown

Pivot/ Slide Tube and 1651 Composite Footplates

NOTE: Heel loops are not included. See footrest and legrest accessories.

NOTE: For complete pivot/ slide tube and footplate assemblies, see front riggings reference charts.



Pivot/ Slide Tube and 1651 Composite Footplates

NOTE: Heel loops are not included. See footrest and legrest accessories.

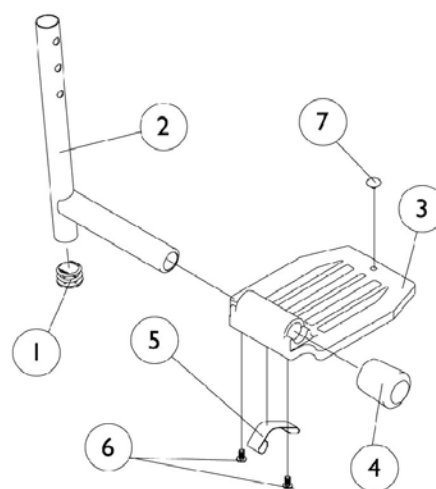
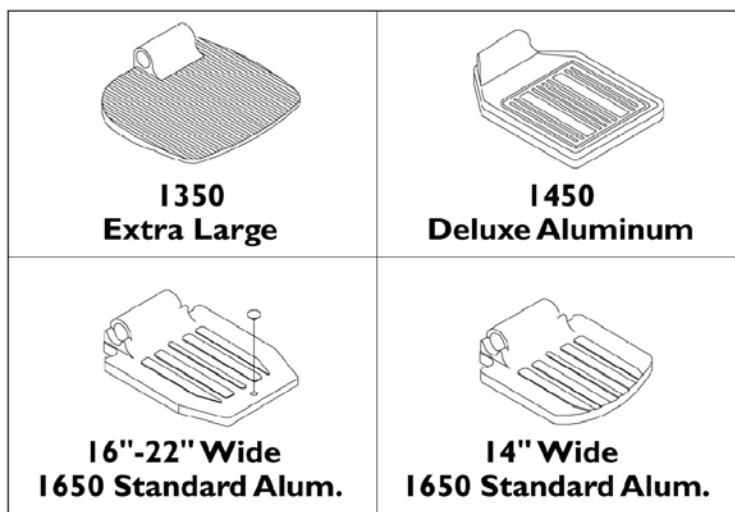
NOTE: For complete pivot/ slide tube and footplate assemblies, see front riggings reference charts.

Item Number	Note	Part Number	Description	Quantity Per	
				Package	Assembly
1		1057852	Pivot/Slide Tube, Curved End (9-7/8") (Steel)	1	1
1	A	1057854	Pivot/Slide Tube, Curved End 2" Longer (Steel)	1	1
1	A	1058418	Pivot/Slide Tube, Curved End 4" Longer (Steel)	1	1
2		1025457	Spacer, Coved (1/4 x 3/4 x 11/32")	1	2
3		1027097	Plug Button, Black (3/4")	1	1
4		7930323	Package, Locknut (1/4-20)	25	1
5		7930366	Screw, Socket Head Cap (1/4-20 x 2-1/4")	25	1
6	B	1026879	Footplate, Composite - Small (6" W x 6" L)	1	1
6	C	1026880	Footplate, Composite - Medium (7" W x 6" L)	1	1
6	D	1026881	Footplate, Composite - Large (8" W x 6" L)	1	1
	E	1026879	Footplate, Composite - Small (6" W x 6" L)	1	1
	F	1026880	Footplate, Composite - Medium (7" W x 6" L)	1	1
	G	1026881	Footplate, Composite - Large (8" W x 6" L)	1	1
NOTE: A - ALPT Option B - 13"-14" Wide C - 15"-16" Wide D - 17" and Wider E - 15"-17" Wide F - 18"-19" Wide G - 20" and Wider					

Pivot/Slide Tube and 1650, 1450, 1350 Aluminum Footplates

NOTE: Heel loops are not included. See footrest and legrest accessories.

NOTE: For complete pivot/ slide tube and footplate assemblies, see front riggings reference charts.



Pivot/Slide Tube and 1650, 1450, 1350 Aluminum Footplates

NOTE: Heel loops are not included. See footrest and legrest accessories.

NOTE: For complete pivot/ slide tube and footplate assemblies, see front riggings reference charts.

Item Number	Note	Part Number	Description	Quantity Per	
				Package	Assembly
1		1027097	Plug Button, Black (3/4")	1	1
2	A	1048834	Pivot/Slide Tube with Plug Button	1	1
2		1098906	Pivot/Slide Tube with Plug Button - 2" Longer	1	1
2		1086482	Pivot/Slide Tube with Plug Button - 4" Longer	1	1
2	B,D	1041526	Pivot/Slide Tube with Plug Button (Steel)	1	1
2	C	1041527	Pivot/Slide Tube with Plug Button (Black)	1	1
2	E	1100568	Pivot/Slide Tube with Plug Button (Black)	1	1
2		1100569	Pivot/Slide Tube with Plug Button Extra Large and Standard Aluminium - 2" Longer	1	1
2		1100570	Pivot/Slide Tube with Plug Button - 4" Longer	1	1
2	C	1041527	Pivot/Slide Tube with Plug Button (Black)	1	1
2	B,D	1041526	Pivot/Slide Tube with Plug Button (Steel)	1	1
2	E,F	1100571	Pivot/Slide Tube with Plug Button - Deluxe	1	1
2	C	1041525	Pivot/Slide Tube with Plug Button - Deluxe Aluminum	1	1
3	G	44200X059	Footplate, Aluminum - Small (6-3/4" W x 6" L)	1	1
3	H	44200X027	Footplate, Aluminum - Medium (7-3/4" W x 6" L)	1	1
3		1043659	Footplate, Aluminum - Deluxe (8" W x 5-3/4" L) - Right	1	1
3		1043660	Footplate, Aluminum - Deluxe (8" W x 5-3/4" L) - Left	1	1
3		44200X025	Footplate, Aluminum - Extra Large (8" W x 8-1/2" L) - Right	1	1
3		44200X026	Footplate, Aluminum - Extra Large (8" W x 8-1/2" L) - Left	1	1
4	I	1016346	Cap, Tube End (7/8")	1	1
4	J	1027095	Plug Button, Black (7/8")	1	1
5	I	1006981	Spring, Leaf	1	2
5	K,L	1036120	Spring	1	2
5	J	1036123	Spring, Leaf	1	1
6	M	7930354	Package, Phillips Head Screw (#8-32 x 3/8")	25	2
7		1070168	Push Plug, Footplate	1	1

NOTE: A - 60MFX, AT5544, 60, 70, PW93, PW93E

B - PAL4

C - P93M

D - PAS4A

E - P904

F - AT5544

G - 14"-15" Wide

H - 16" and Wider

I - Standard Aluminium Footplate

J - Extra Large Footplate

K - Deluxe

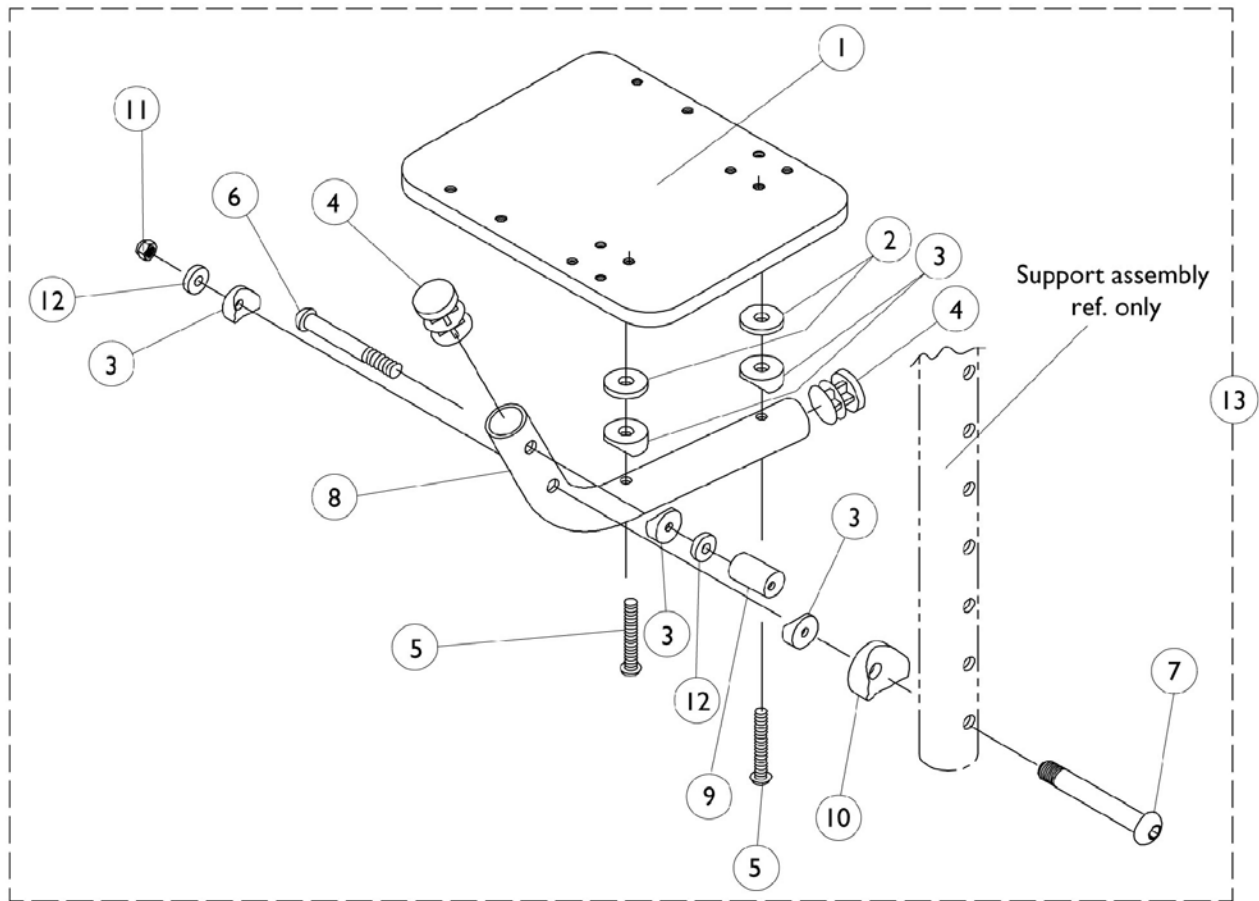
L - Takes (2) per side

M - Deluxe takes (1)

AT5043 Flip-Up Footplates

70 Deg. MFX and 90 Deg. Swingaway Supports

NOTE: Heel loops are not included. See footrest and legrest accessories.



AT5043 Flip-Up Footplates

70 Deg. MFX and 90 Deg. Swingaway Supports

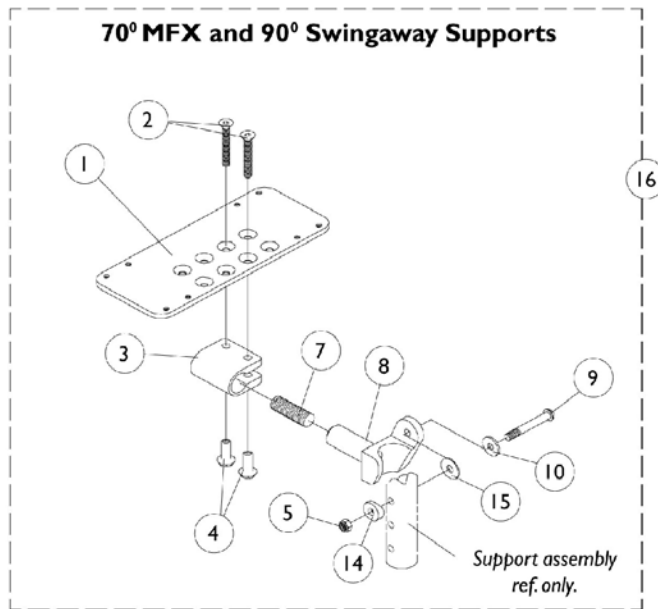
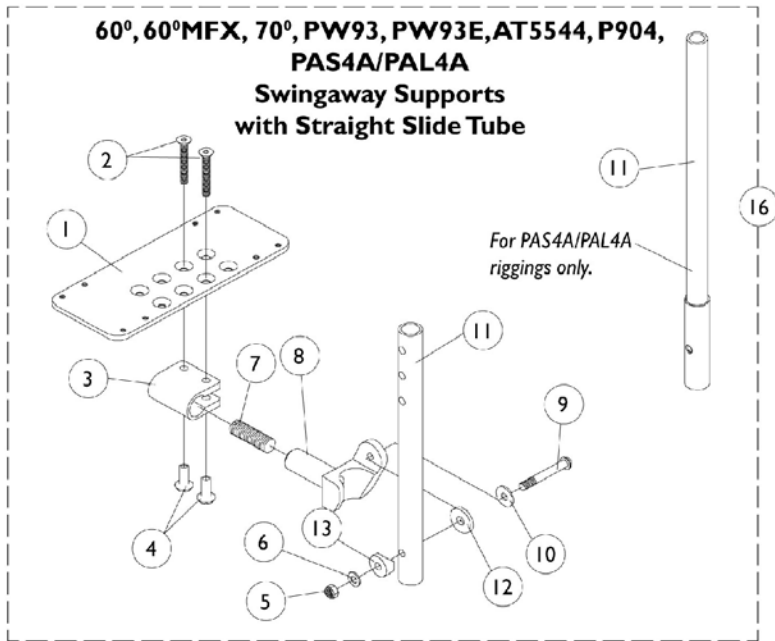
NOTE: Heel loops are not included. See footrest and legrest accessories.

Item Number	Note	Part Number	Description	Quantity Per	
				Package	Assembly
1		1044082	Footplate	1	1
2		1029454	Washer, Nylon (3/16 x 3/4 x 5/32")	1	2
3		1025457	Spacer, Coved (1/4 x 3/4 x 11/32")	1	5
4		1027097	Plug Button, Black (3/4")	1	2
5		1029464	Screw, Socket Button Head (#10-32 x 1-1/4")	1	2
6		1008495	Screw, Socket Button Head (1/4-20 x 1-1/2")	1	1
7		1023967	Screw, Socket Button Head (1/4-20 x 2-5/8")	1	1
8		1029428	Tube, Footrest	1	1
9		1028417	Cam, Adjustment	1	1
10		40157X020	Spacer, Coved (1/4 x 1 x 9/16")	1	1
11		7930333	Locknut (1/4-20)	25	1
12		1018739	Washer (1/4 x 5/8 x 3/32")	1	2
13		1029434	Flip-Up Footplate Assembly -Right	1	1
13		1029435	Flip-Up Footplate Assembly -Left	1	1

AT5543 Adjustable Angle Footplates

60 deg., 60 deg. MFX, 70 deg., 70 deg. MFX, PW93, PW93E, 90 deg. AT5544, P904, PAS4A/PAL4A
Swingaway Supports

NOTE: Heel loops are not included. See footrest and legrest accessories.



AT5543 Adjustable Angle Footplates

60 deg., 60 deg. MFX, 70 deg., 70 deg. MFX, PW93, PW93E, 90 deg. AT5544,
P904, PAS4A/PAL4A
Swingaway Supports

NOTE: Heel loops are not included. See footrest and legrest accessories.

Item Number	Note	Part Number	Description	Quantity Per	
				Package	Assembly
1	B	1060426	Footplate, Adjustable Angle - Medium (4-1/4" W x 8" L)	1	1
1	C	1060427	Footplate, Adjustable Angle - Large (5-1/4" W x 8" L)	1	1
1	D	1062569	Footplate, Adjustable Angle - X-Large (6-1/4" W x 8" L)	1	1
2		1029545	Screw, Socket Head Cap (1/4-20 x 3/4")	1	2
3		1058517	Clamp, Footplate	1	1
4		1082686	Nut, Hex Head (1/4-20 x 11/16")	1	2
5		7930333	Locknut (1/4-20)	25	1
6		1026907	Washer (1/4 x 1/2 x 1/16")	1	1
7		1048816	Screw, Nylon Adjustment (1/2-13 x 7/8")	1	1
8		1052102	Hinge, Footplate - Right	1	1
8		1052103	Hinge, Footplate - Left	1	1
9		7930321	Screw, Socket Button Head (1/4-20 x 1-7/8")	25	1
10		1026900	Washer (1/4 x 23/32 x 1/16")	1	1
11		1057855	Pivot/Slide Tube, Straight (9-7/8" Long - Steel)	1	1
11		1057856	Pivot/Slide Tube, Straight (11-7/8" Long - Steel)	1	1
11	A	1091745	Pivot/Slide Tube, Straight (13-7/8" Long - Steel)	1	1
12		7930313	Washer, Nylon (5/16 x 7/8 x 1/8")	25	1
13		1025457	Spacer, Coved (1/4 x 3/4 x 11/32")	1	1
14		1026099	Spacer, Coved (1/4 x 11/16 x 1/2")	1	1
15		1036435	Washer, Nylon (1/4 x 7/8 x 1/32")	1	1
16		See Chart	#16 Pivot/Slide Tubes with Footplates	1	1

NOTE: A - For PAS4A/PAL4A only
B - For 12-13" wide chairs
C - For 14-15" wide chairs
D - For 16" and wider chairs

#16 Pivot Slide Tube with Footplate Assemblies

Rigging Type	Side	12-13" W Medium Footplate	14-15" W Large Footplate	16" and Wider X- Large Footplate
90 and 70MFX	Right	1060436	1060438	1062570
	Left	1060437	1060439	1062571
60, 60MFX, 70, PW93, PW93E, AT5544, P904	Right	1060442	1060444	1062756
	Left	1060443	1060445	1062757

AT5543 Adjustable Angle Footplates

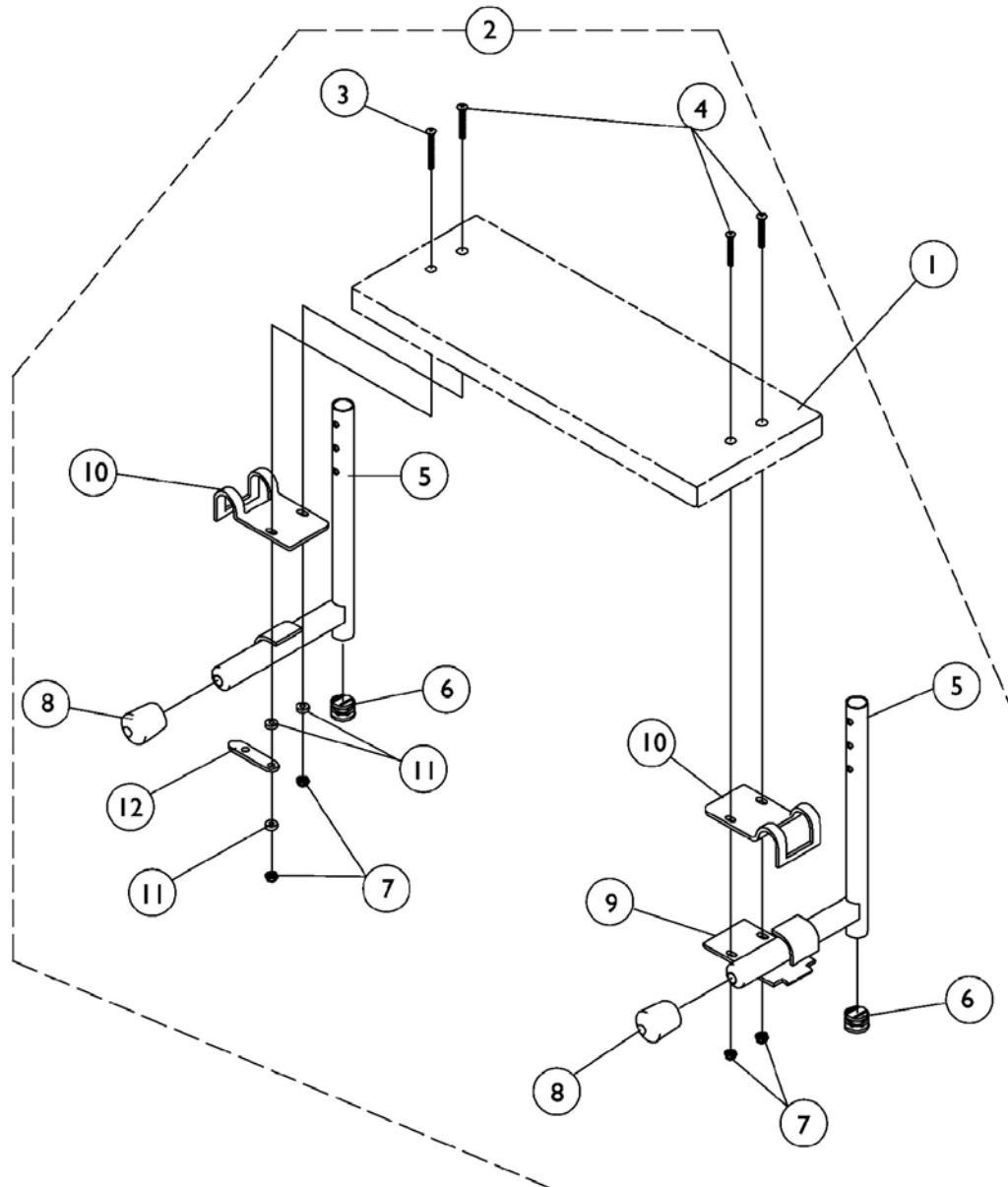
**60 deg., 60 deg. MFX, 70 deg., 70 deg. MFX, PW93, PW93E, 90 deg. AT5544,
P904, PAS4A/PAL4A
Swingaway Supports**

NOTE: Heel loops are not included. See footrest and legrest accessories.

#16 Pivot Slide Tube with Footplate Assemblies

Rigging Type	Side	12-13" W Medium Footplate	14-15" W Large Footplate	16" and Wider X- Large Footplate
60, 60MFX, 70, PW93, PW93E, AT5544, P904 2" Longer Slide Tube	Right	N/A	1062758	1062760
	Left	N/A	1062759	1062761
PAS4A and PAL4A	Right	N/A	1091775	1091777
	Left	N/A	1091776	1091778

S1263 One Piece Wooden Footboard and Hardware



S1263 One Piece Wooden Footboard and Hardware

Item Number	Note	Part Number	Description	Quantity Per	
				Package	Assembly
1	A	See Chart	#1 One Piece Wooden Footboard	1	1
		See Chart	Heel Loop Hardware Packages	1	1
2	B	1054573	Kit, Wooden Footboard Mounting Hardware	1	1
3			Screw, Phillips Oval Head (#10-32 x 1-1/2")	1	1
4			Screw, Phillips Oval Head (#10-32 x 1-1/4")	1	3
5			Tube, Pivot/Slide - Right (Chrome)	1	1
5			Tube, Pivot/Slide - Left (Chrome)	1	1
6			Plug Button, Black (3/4")	1	2
7			Locknut (#10-32)	1	4
8			Cap, Tube End (7/8")	1	2
9			Lock, Pad Plate, Legrest	1	1
10			Clamp	1	2
11	Washer, Nylon (3/16 x 7/16 x 1/8")	1	3		
12	Link, Locking	1	1		

NOTE: A - Not Shown.
B - Includes items 3-12

#1 One Piece Wooden Footboard

NOTE: When selecting a wooden footboard for PW93ST or 70 degree Tapered Footrest, order a 3" narrower footboard to accommodate the 1.5" footrest taper per side. Example: 17" wide chair will use a 14" wide chair footboard. S1263 option is not available for tapered footrest less than 17" wide.

Footrest-Footboard w/ Heel Loop Holes Part Number	Legrest-Footboard w/o Heel Loop Holes Part Number	Chair Width	Footboard Width	Footboard Depth
1034245	48247X003	14"	11-5/8"	6"
1034246	1031910	15"	12-1/2"	6"
1034247	48247X001	16"	13-3/4"	6"
1034248	1031911	17"	14-1/2"	6"
1034249	48247X000	18"	15-9/16"	6"
1034250	1031912	19"	16-1/2"	6"
1034251	1031913	20"	17-1/2"	6"
1034252	1031914	21"	18-1/2"	6"
1034253	1031915	22"	19-1/2"	6"

S1263 One Piece Wooden Footboard and Hardware

Heel Loop Hardware Packages (not shown)

(All hardware is included to attach heel loops to footboard.)

Chair Width	Part Number	Package Includes
14-15" Wide	1033904	2 each Heel Loops 4 each Screw, PPH (1/4-20 x 3") 4 each Spacer (1/4 x 11/32 x 1-3/4") 4 each Locknut (1/4-20)
16"-24" Wide	1033905	2 each Heel Loops 4 each Screw, PPH (1/4-20 x 3") 4 each Spacer (1/4 x 11/32 x 1-3/4") 4 each Locknut (1/4-20)

Footrest and Legrest Accessories

Footplate Type	Chair Width	Heel Loop Single #	Heel Loop Pair #	Heel Loop w/ Ankle Strap Single # Rt.	Heel Loop w/ Ankle Strap Single # Lt.	Heel Loop w/ Ankle Strap Pair #	Attaching Hardware Pair #
Composite Small (1651)	12-14" W or 15-17" W Tapered	1028412	1035912	1035908	1035909	1035906	1035931
Composite Medium (1651)	15-16" W or 18-19" W Tapered	1017621	1035917	1035919	1035920	1035918	1035931
Composite Large (1651)	17-22" W or 20-22" W Tapered	1017621	1035917	1035932	1035933	1035930	1035931
Standard Aluminum (1650)	14-15" W	1025234	1035905	1035908	1035909	1035906	1035907
Standard Aluminum (1650)	16-22" W	1017621	1035917	1035919	1035920	1035918	1035907
Deluxe Aluminum (1450)	16-22" W	1017621	1035917	1035919	1035920	1035918	1086112
X-Large Aluminum (1350)	16-22" W	1017621	1035917	1035919	1035920	1035918	1055241

Attaching Hardware Part Numbers

(Less AT5043 and AT5543)

Footplate Type	Part Number	Part Number Consists of
Composite (1651)	1035931	2 each Screw, PPH (1/4-20 x 2-1/4") 2 each Spacer (1/4 x 11/32 x 1-3/4") 2 each Locknut (1/4-20)
Standard Aluminum (1650)	1035907	2 each Screw, PPH (1/4-20 x 2-1/2") 2 each Spacer (1/4 x 11/32 x 1-3/4") 2 each Locknut (1/4-20)

Footrest and Legrest Accessories

Attaching Hardware Part Numbers

(Less AT5043 and AT5543)

Footplate Type	Part Number	Part Number Consists of
Deluxe Aluminum (1450)	1086112	2 each Screw, PPH (1/4-20 x 2-1/2") 2 each Spacer (1/4 x 11/32 x 1-3/4") 2 each Locknut (1/4-20)
X-Large Aluminum (1350)	1055241	2 each Screw, PPH (1/4-20 x 2-1/4") 2 each Spacer (1/4 x 11/32 x 1-3/4") 2 each Locknut (1/4-20)

Footrest and Legrest Accessories

Heel Loops/Heel Loops w/ Ankle Straps and Hardware

(For AT5043 and AT5543)

Footplate Type	Part Number	Part Number Consists of
AT5043 Flip-Up and AT5543 Adj. Angle	1038245 Heel Loops w/ Hardware Adjustable Angle Footplate (Pair)	2 each Heel Loops 4 each Screw, SHC (10-32 x 1-1/2") 4 each Spacer (1/4 x 5/16 x 1-3/32") 4 each Washer (3/16 x 7/16 x 1/16")
AT5043 Flip-Up and AT5543 Adj. Angle	1038246 Heel Loops w/ Ankle Straps & Hardware Adjustable Angle Footplate (Pair)	2 each Heel Loops w/ Ankle Straps 4 each Screw, SHC (10-32 x 1-1/2") 4 each Spacer (1/4 x 5/16 x 1-3/32") 4 each Washer (3/16 x 7/16 x 1/16")

Toe Loops (1345) and Attaching Hardware

Footplate Type	Toe Loop w/o Hardware Single #	Toe Loop w/o Hardware Pair #	Attaching Hardware Part Number	Attaching Hardware Consists of
1651, 1650, 1450, 1350, Footplates	04572X025	1037087	1037089	4 each Screw, PPH (10-32 x 7/8") 4 each Washer (1/4 x 3/4 x 3/32") 4 each Locknut (10-32)
AT5043 and AT5543 Footplates	04572X025	1037087	1104749	4 each Screw, PPH (10-32 x 1/2") 4 each Washer (1/4 x 3/4 x 3/32")

Footrest and Legrest Accessories

Item Number	Note	Part Number	Description	Quantity Per	
				Package	Assembly
	B	1032243	Calf Strap w/ Hook and Loop (36" Long)	1	1
	C	1032215	H-Strap, 26" Long	1	1
	D	1032216	H-Strap, 31" Long	1	1
	A	8881038231	Kit, 3" Extension w/ Hardware (Pair)	2	1
		1026987	Impact Guard, 8" Long	1	2
	E	See Chart	Attaching Hardware Part Numbers	1	1
	E	See Chart	Heel Loops and Hardware (Less AT5043/AT5543)	1	1
	E	See Chart	Heel Loops/Heel Loops w/ Ankle Straps and Hardware AT5043 and AT5543	1	1
	E	See Chart	Toe Loops and Hardware	1	1
NOTE: A - Specify frame color when ordering. B - 14"-22" Wide C - 14"-16" Wide D - 17"-22" Wide E - Not Shown					

MK6i Electronics

If you are looking for **MK6i™ Electronics**
Introduced to the
Power Tilt Only (PTO-STM) and/or Elevating Seat w/ PTO (ESS-PTO) for
the 2G/3G Storm Series® Power Chairs
on or about 10/9/06

The parts catalog information is now divided into two separate catalogs.

Web Page

The MK6i™ Electronics information can be found on the Invacare web page by selecting “Electronics MK6i™” in the “Select Parts Catalog” drop down menu.

INVACARE
Yes, you can.

INVACARE HOME | NEW SEARCH

Select Product Group: Power Wheelchairs & Scooters

Select Parts Catalog: Electronics MK6i™

Select Page In Catalog: -Select- Go

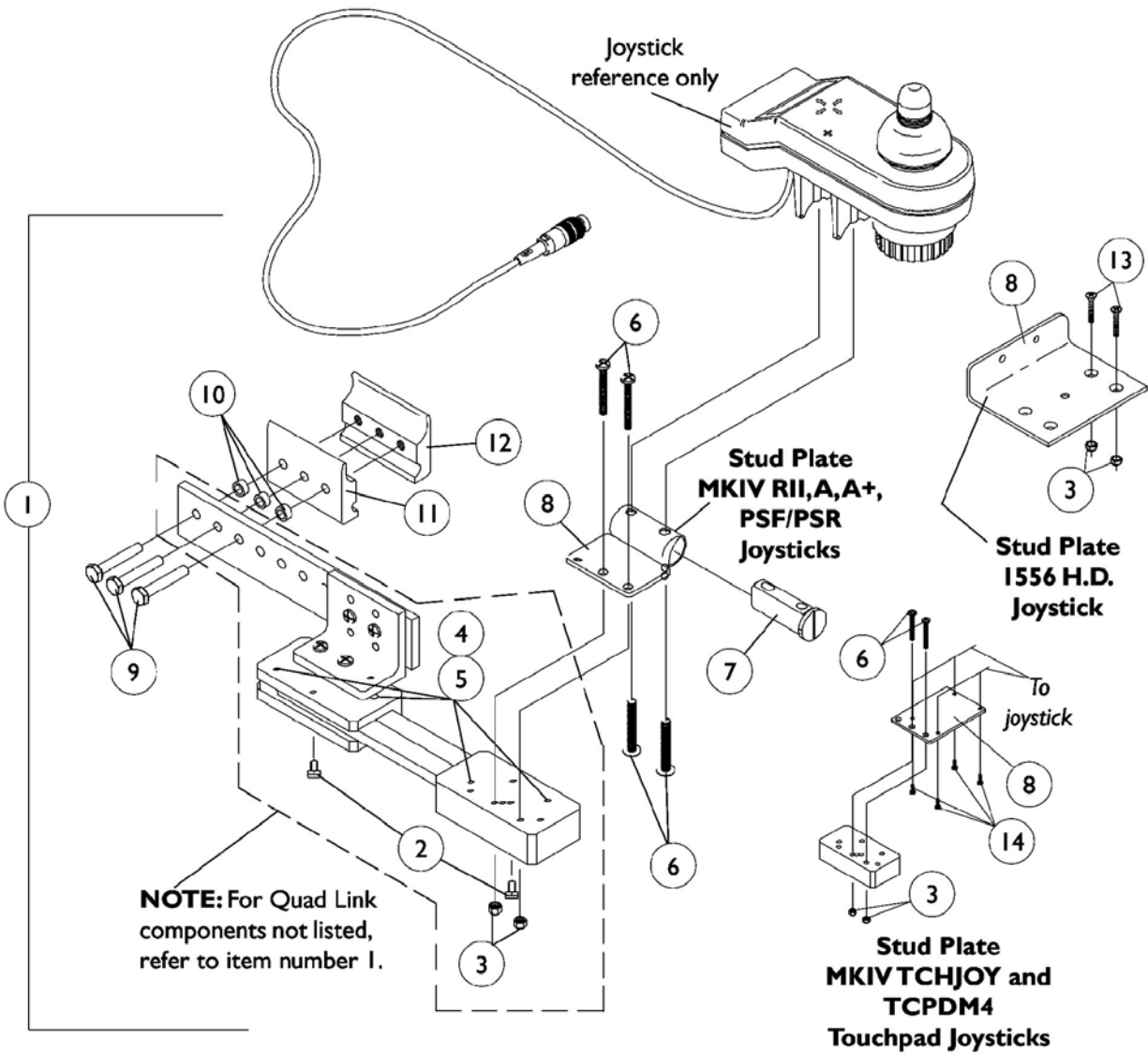
Catalog Literature: [Archived Parts Books](#) | [Complete Parts PDF](#)

Printed Catalog

The MK6i™ Electronics information can be found in printed copy at our Literature Fulfillment Center listed under form # 06-110 and titled “MK6i™ Electronics”.

Quad Link Assembly

Before 10/31/05



Quad Link Assembly Before 10/31/05

Item Number	Note	Part Number	Description	Quantity Per	
				Package	Assembly
1	A	1052402	Kit, Quad Link Assembly - Right	1	1
2			Ball Plunger with Lock Washer Assembly	2	1
3			Locknut (#10-32)	1	2
4			Screw, Socket Head (#10-32 x 1/2")	1	4
5			Bushing, Bronze (3/16 x 1/4 x 1/4")	1	4
6			Screw, Phillips Pan Head (#10-32 x 1-1/8")	1	4
7			Spacer, Joystick Tube	1	1
8			Stud Plate, Quad Link	1	1
9			Screw, Hex Head (1/4-20 x 1-1/2")	1	3
10			Spacer (1/4 x 3/8 x 3/16")	1	3
11			Half Clamp, Non-Threaded Holes	1	1
12			Half Clamp, Threaded Holes	1	1
1	A	1115372	Kit, Quad Link Assembly - Left	1	1
2			Ball Plunger with Lock Washer Assembly	2	1
3			Locknut (#10-32)	1	2
4			Screw, Socket Head (#10-32 x 1/2")	1	4
5			Bushing, Bronze (3/16 x 1/4 x 1/4")	1	4
6			Screw, Phillips Pan Head (#10-32 x 1-1/8")	1	4
7			Spacer, Joystick Tube	1	1
8			Stud Plate, Quad Link	1	1
9			Screw, Hex Head (1/4-20 x 1-1/2")	1	3
10			Spacer (1/4 x 3/8 x 3/16")	1	3
11			Half Clamp, Non-Threaded Holes	1	1
12			Half Clamp, Threaded Holes	1	1
1	B,D	1034703-NLA	Kit, Quad Link Assembly - Right	1	1
2			Ball Plunger with Lock Washer Assembly	2	1
3			Locknut (#10-32)	1	2
4			Screw, Socket Head (#10-32 x 1/2")	1	4
5			Bushing, Bronze (3/16 x 1/4 x 1/4")	1	4
8			Stud Plate, Quad Link For 1556 Heavy Duty Joystick	1	1
9			Screw, Hex Head (1/4-20 x 1-1/2")	1	3
10			Spacer (1/4 x 3/8 x 3/16")	1	3
11			Half Clamp, Non-Threaded Holes	1	1
12			Half Clamp, Threaded Holes	1	1
13			Screw, Phillips Flat Head Countersunk (#10-32 x 1-1/8")	1	2
1	B	1114866	Kit, Quad Link Assembly - Left	1	1
2			Ball Plunger with Lock Washer Assembly	2	1
3			Locknut (#10-32)	1	2
4			Screw, Socket Head (#10-32 x 1/2")	1	4
5			Bushing, Bronze (3/16 x 1/4 x 1/4")	1	4

Quad Link Assembly Before 10/31/05

Item Number	Note	Part Number	Description	Quantity Per	
				Package	Assembly
8			Stud Plate, Quad Link For 1556 Heavy Duty Joystick	1	1
9			Screw, Hex Head (1/4-20 x 1-1/2")	1	3
10			Spacer (1/4 x 3/8 x 3/16")	1	3
11			Half Clamp, Non-Threaded Holes	1	1
12			Half Clamp, Threaded Holes	1	1
13			Screw, Phillips Flat Head Countersunk (#10-32 x 1-1/8")	1	2
1	C	1102027	Kit, Quad Link Assembly - Right For TCHJOY/TCPDM4 Touchpad	1	1
2			Ball Plunger with Lock Washer Assembly	2	1
3			Locknut (#10-32)	1	2
4			Screw, Socket Head (#10-32 x 1/2")	1	4
5			Bushing, Bronze (3/16 x 1/4 x 1/4")	1	4
6			Screw, Phillips Pan Head (#10-32 x 1-1/8")	1	2
8			Stud Plate, Quad Link MKIV TCHJOY/TCPDM4	1	1
9			Screw, Hex Head (1/4-20 x 1-1/2")	1	3
10			Spacer (1/4 x 3/8 x 3/16")	1	3
11			Half Clamp, Non-Threaded Holes	1	1
12			Half Clamp, Threaded Holes	1	1
14			Screw, Phillips Flat Head Countersunk (#4-40 x 3/8")	1	4
2		1114863	Ball Plunger with Lock Washer Assembly	2	1
<p>NOTE: A - Includes the Quad Link, items 2-12 and used with MKIV RII, A, A+,PSF/PSR joysticks B - Includes the Quad Link, items 2-5 and 8-13 and used with a 1556 Heavy Duty joystick C - Includes the Quad Link, items 2-6, 8-12, 14 and used with TCHJOY/TCPDM4 joysticks. For left side mounted Quad Link, order as a special D - Quad Link Assembly is no longer available. Please see Quad Link Assembly (After 10/30/05) category and use new Quad Link design as a replacement.</p>					

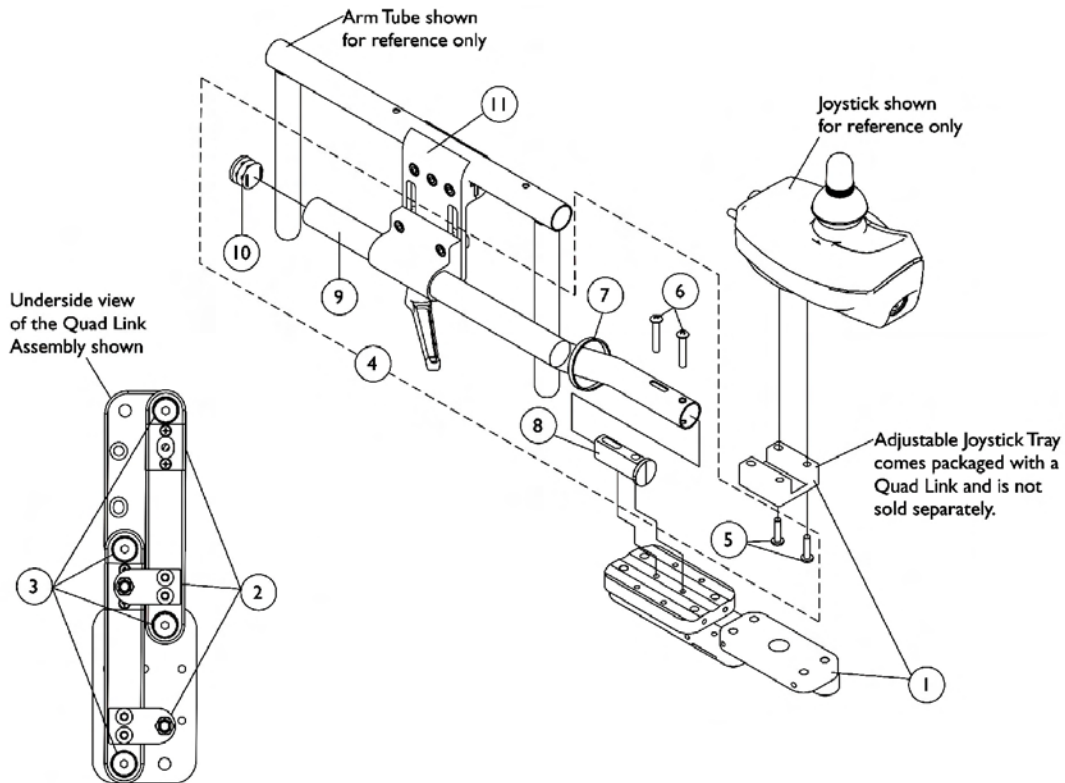
Quad Link (QLA)

After 10/30/05

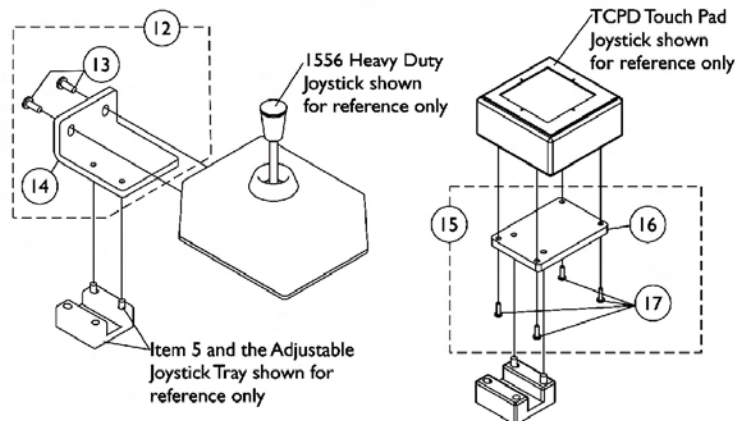
When converting an old style Quad Link that attaches to a mounting plate or (a Flex Tube or Touch Pad Joystick Tube) is currently on the chair then order the following:

Quad Link Mtg. Hdwr. (item 4), Quad Link (item 1) & Ht. Adj. Joystick Tube Clamp (item 11)

NOTE: Substitute (item 4) with 2 ea. of the PPH Screws (item 5) when an offset joystick tube is currently on the chair. Additional Joystick Mtg. Hdwr. must be ordered when a 1556 Heavy Duty Joystick or TCPD Touch Pad are used.



Screw Fastener and Quad Link Latch Hardware



Quad Link (QLA)

After 10/30/05

When converting an old style Quad Link that attaches to a mounting plate or (a Flex Tube or Touch Pad Joystick Tube) is currently on the chair then order the following:

Quad Link Mtg. Hdwr. (item 4), Quad Link (item 1) & Ht. Adj. Joystick Tube Clamp (item 11)

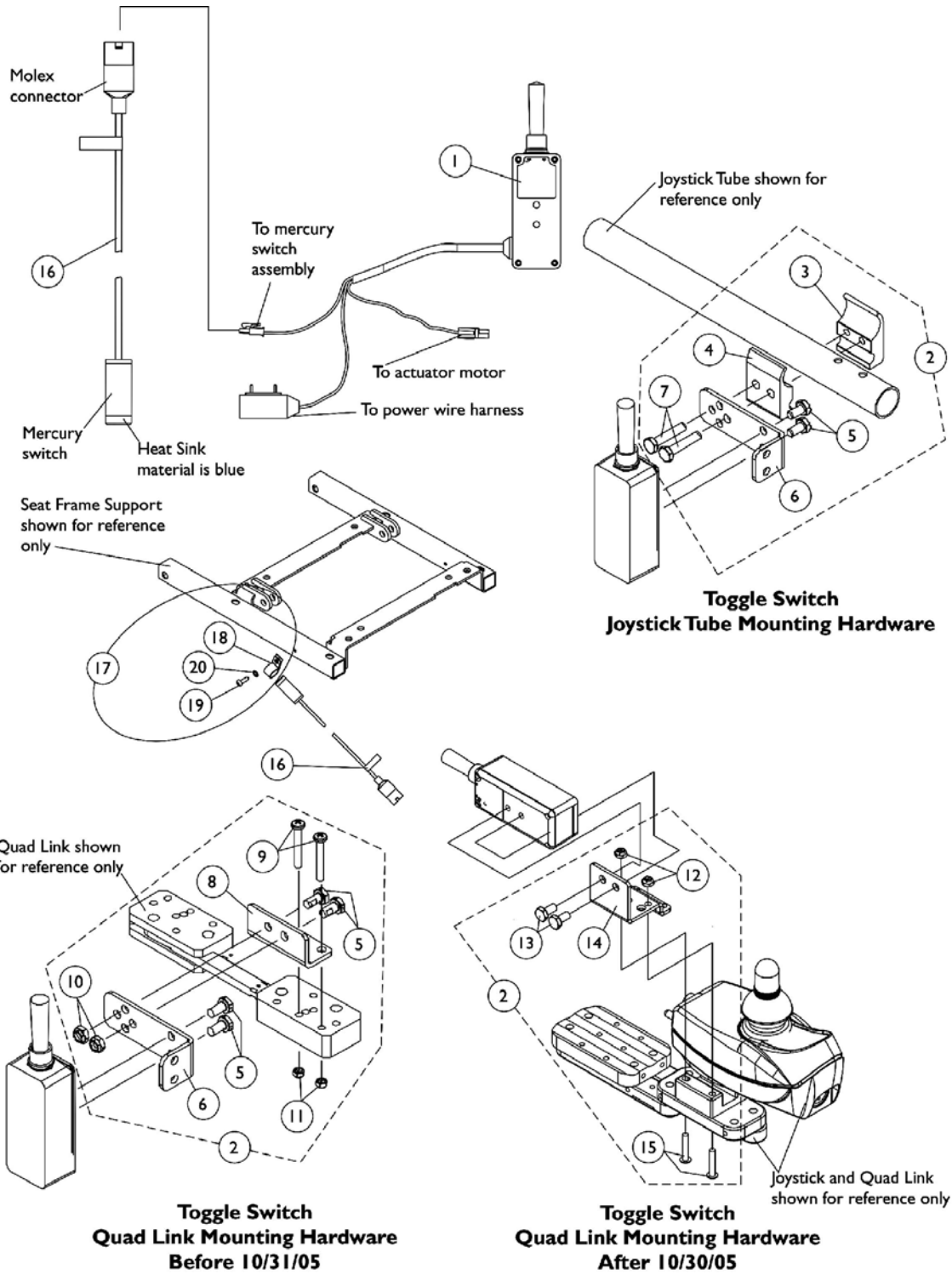
NOTE: Substitute (item 4) with 2 ea. of the PPH Screws (item 5) when an offset joystick tube is currently on the chair. Additional Joystick Mtg. Hdwr. must be ordered when a 1556 Heavy Duty Joystick or TCPD Touch Pad are used.

Item Number	Note	Part Number	Description	Quantity Per	
				Package	Assembly
1	F	1140896	Quad Link with Adjustable Joystick Tray (QLA) and Instruction Sheet - Right	1	1
1	F	1140897	Quad Link with Adjustable Joystick Tray (QLA) and Instruction Sheet - Left	1	1
2	A	1140425	Kit, Quad Link Latch Hardware	1	1
3	B	1140424	Kit, Quad Link Screw Fastener Hardware	1	1
4	C,C1	1139416	Kit, ASBA/ADJASBA Quad Link Mounting Hardware	1	1
5			Screw, Phillips Pan Head w/ Patch (10-32 x 3/4")	1	2
6			Screw, Phillips Pan Head (#10-32 x 1-1/8")	1	2
7			Cable Tie (11-1/2" Long)	1	1
8			Spacer, Joystick Tube	1	1
9			Tube, Joystick 1/2" Offset	1	1
10			Plug Button, Black (7/8")	1	1
5		1105414	Screw, Phillips Pan Head w/ Patch (10-32 x 3/4")	1	2
11	H	1139422	Clamp, Height Adjustable Joystick Tube (ARM250)	1	1
12	D	1139925-NLA	Kit, 1556 Heavy Duty Joystick To Quad Link Mounting Hardware	1	1
13			Screw, Phillips Pan Head (#10-32 x 1/2")	1	2
14			Plate, 1556 HD Joystick Quad Link	1	1
15	E	1139683	Kit, TCPD Touch Pad To Quad Link Mounting Hardware	1	1
16			Plate, TCPD Touch Pad Quad Link	1	1
17			Screw, Phillips Pan Head (#4-40 x 3/8")	1	4
	G	1134844	Instruction Sheet, Quad Link	1	1

NOTE: A - Latch Kit includes 4 ea. Button Head Cap Screws (10-32 x 3/8"), 2 ea. Latch Spring Assembly, 4 ea. Phillips Flat C'Sunk Head Screws, 2 ea. Spring Catch Plates, 2 ea. Socket Head Set Screws (10-32 x 3/8")
 B - Screw Fastener Kit includes 4 ea. Socket Head Shoulder Screws (3/8 x 3/8"), 2 ea. Socket Head Cap Screws (1/4-20 x 3/8"), 2 ea. Socket Head Set Screws (1/4-20 x 1/2"), 4 ea. Socket Head Set Screws (10-32 x 1/8")
 C - Includes items 5-10. The Quad Link Mounting Hardware accommodates MKIV RII, A, A+, PSF/PSR joysticks.
 C1 - When ordering the Quad Link for the first time, Additional hardware is required for 1556 Heavy Duty and TCPD Touch Pad joysticks. See pictorial for reference.
 D - Includes items 13 and 14
 E - Includes items 16 and 17
 F - The 4-Way Switch and Single Function Toggle Switch (TRSS) Mounting Plates have changed and may be required when converting a Quad Link assembled to a mounting plate over to a Quad Link introduced after 10/30/05
 G - Not Shown
 H - Individual components are non-saleable

Electronics

Tilt Recline Single Switch (TRSS)



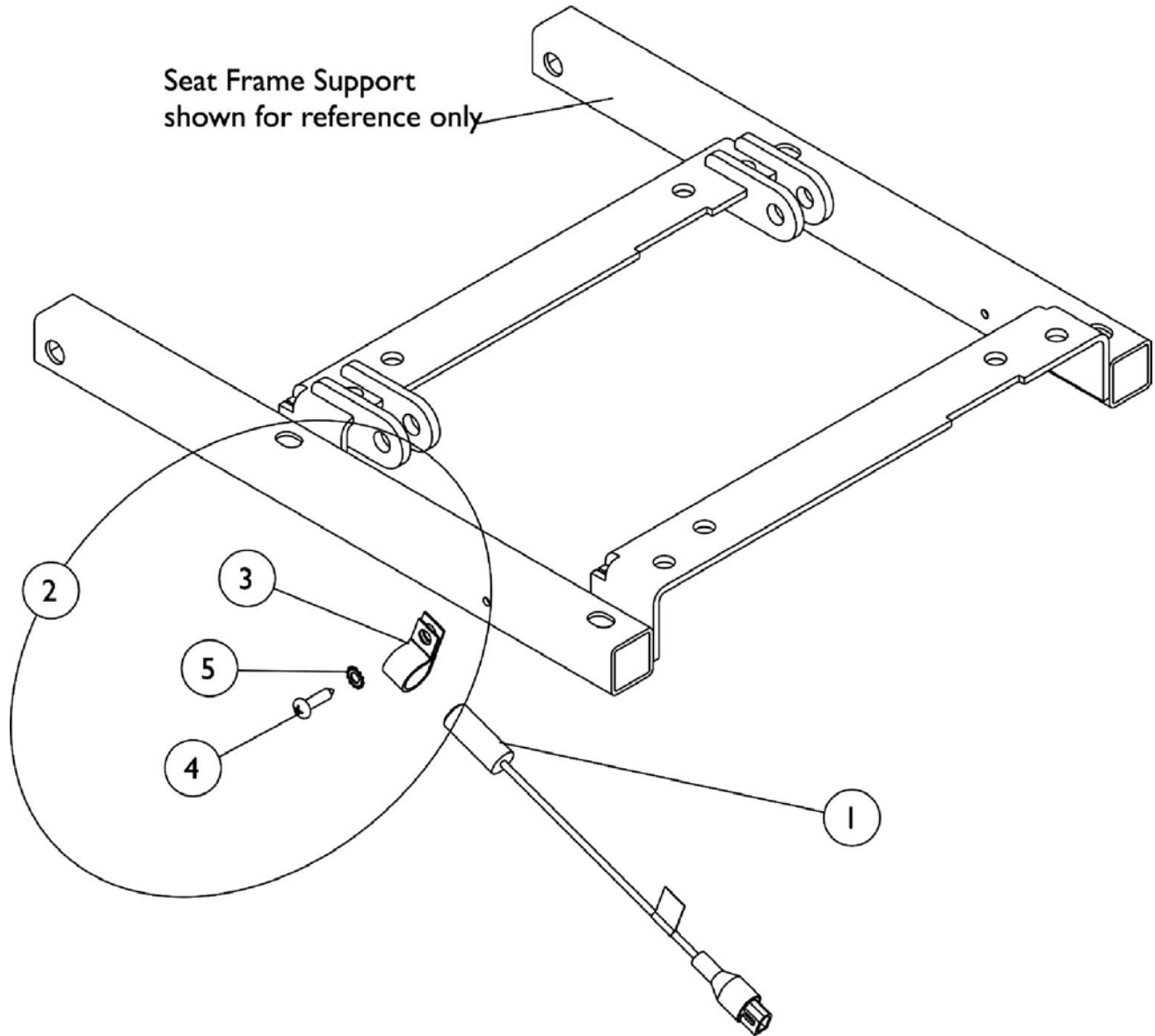
Electronics

Tilt Recline Single Switch (TRSS)

Item Number	Note	Part Number	Description	Quantity Per	
				Package	Assembly
1		1089384	Switch, Toggle Tilt Recline Single (TRSS)	1	1
2	A	1091496	Kit, Joystick Tube Toggle Switch Mounting Hardware	1	1
3			Half Clamp, Threaded Holes	1	1
4			Half Clamp, Non-Threaded Holes	1	1
5			Screw, Hex Head Cap w/ Patch (1/4-20 x 1/2")	1	2
6			Bracket, Toggle Switch Mounting	1	1
7			Screw, Hex Head (1/4-20 x 1-1/8")	1	2
2	B	1091497	Kit, Quad Link Toggle Switch Mounting Hardware	1	1
5			Screw, Hex Head Cap w/ Patch (1/4-20 x 1/2")	1	4
6			Bracket, Toggle Switch Mounting	1	1
8			Bracket, Quad Link Toggle Switch Mounting	1	1
9			Screw, Phillips Pan Head (#10-32 x 1-3/8")	1	2
10			Locknut (1/4-20)	1	2
11			Locknut (#10-32)	1	2
2	C	1139684	Kit, Quad Link Toggle Switch Mounting Hardware	1	1
12			Locknut (#10-32)	1	2
13			Screw, Hex Head Cap w/ Patch (1/4-20 x 1/2")	1	2
14			Bracket, Toggle Switch Mounting	1	1
15			Screw, Phillips Pan Head w/Patch (#10-32 x 7/8")	1	2
16		1080635	Harness, Recline/Tilt Mercury Switch	1	1
17	D	1106544	Kit, Switch Clip with Mounting Hardware	1	1
18			Bracket, Cable/Wire Mount	1	1
19			Screw, Phillips Self-Tapping (#10-32 x 3/4")	1	1
20			Lockwasher, External Tooth (#10)	1	1

NOTE: A - Includes items 3-7
 B - Before 10/31/05 and Includes items 5, 6 and 8-11
 C - After 10/30/05 and includes items 12-15
 D - Switch Clip Hardware is used to mount the Recline/Tilt Mercury Switch Harness. Includes items 18-20

Switch, Drive Lockout Mercury (MK6i Electronics)



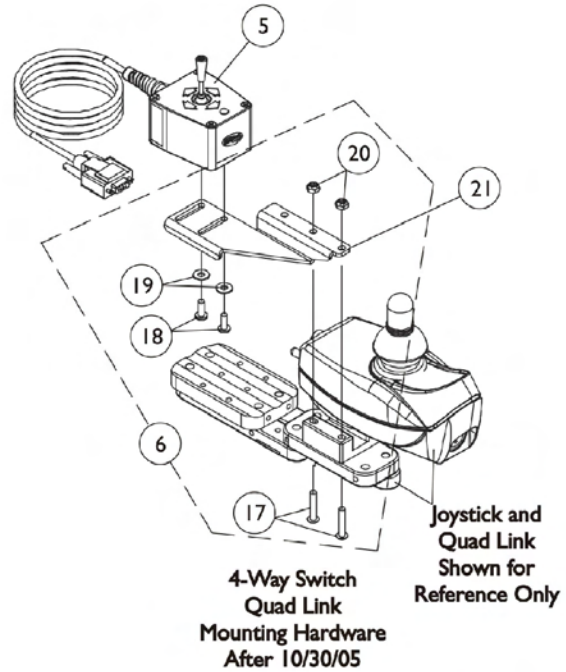
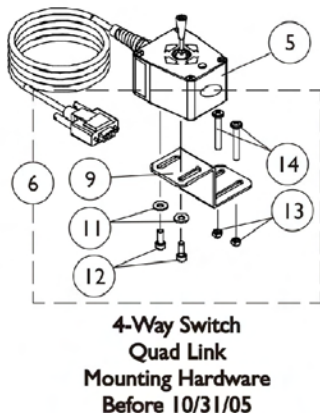
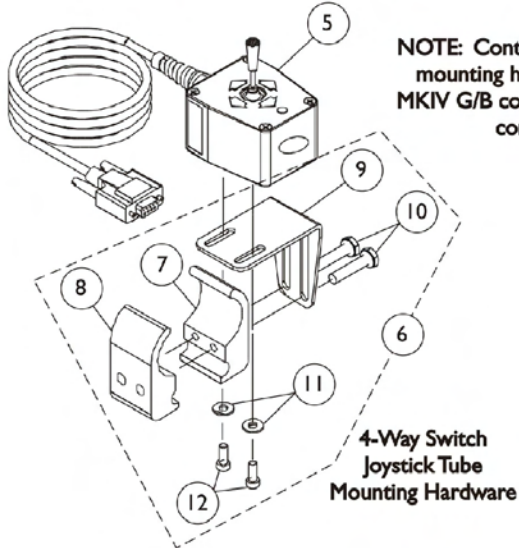
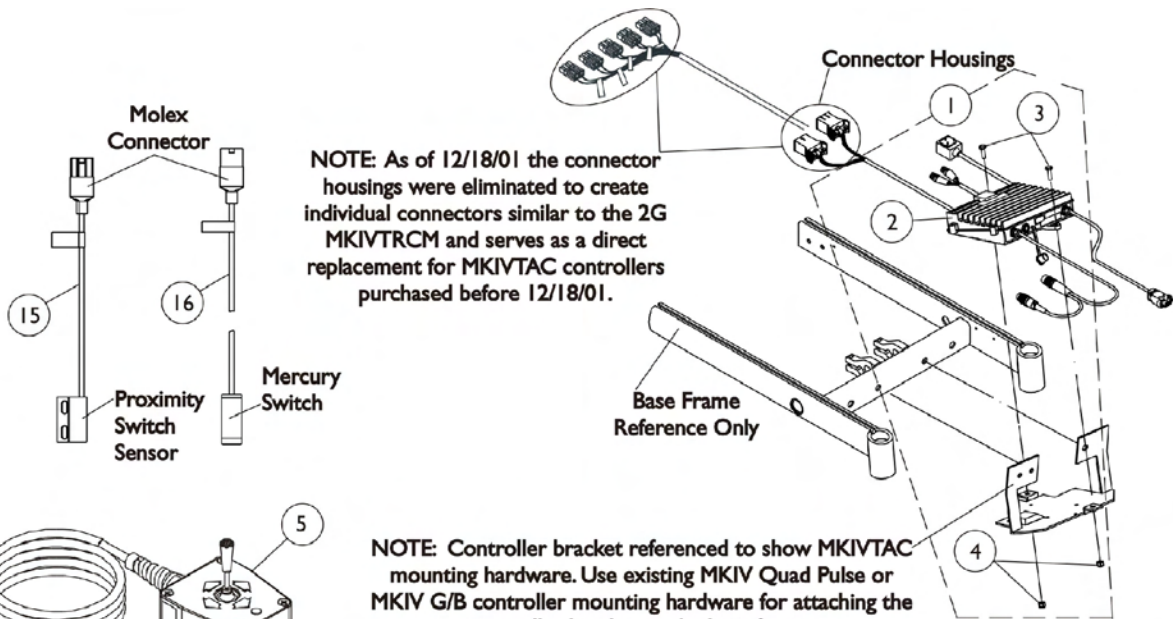
Switch, Drive Lockout Mercury (MK6i Electronics)

Item Number	Note	Part Number	Description	Quantity Per	
				Package	Assembly
1		1140099	Switch, Drive Lockout Mercury (MK6i)	1	1
2	A	1106544	Kit, Switch Clip with Mounting Hardware	1	1
3			Bracket, Cable/Wire Mount	1	1
4			Screw, Phillips Self-Tapping (#10-32 x 3/4")	1	1
5			Lockwasher, External Tooth (#10)	1	1

NOTE: A - Includes items 3-5

MKIV TAC Controller and 4-Way Switch For Power Elevating Seat

NOTE: (ESS-PTO) Elevate w/ PTO was discontinued 10/16/06. After 10/15/06, refer to the Formula CG Powered Seating System Parts Catalog Form #06-106 for Elevate components on a 3G Storm Series.



MKIV TAC Controller and 4-Way Switch

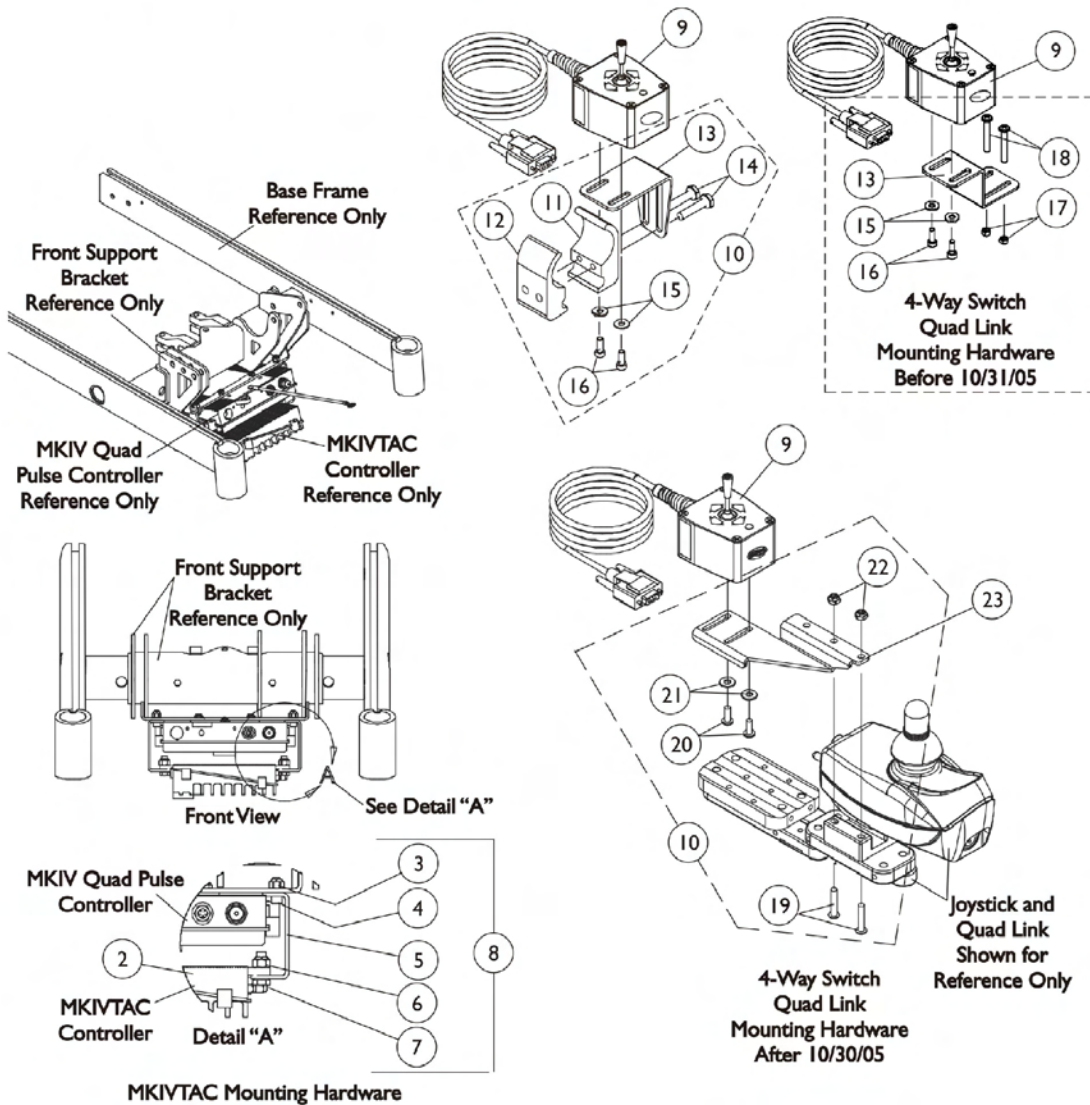
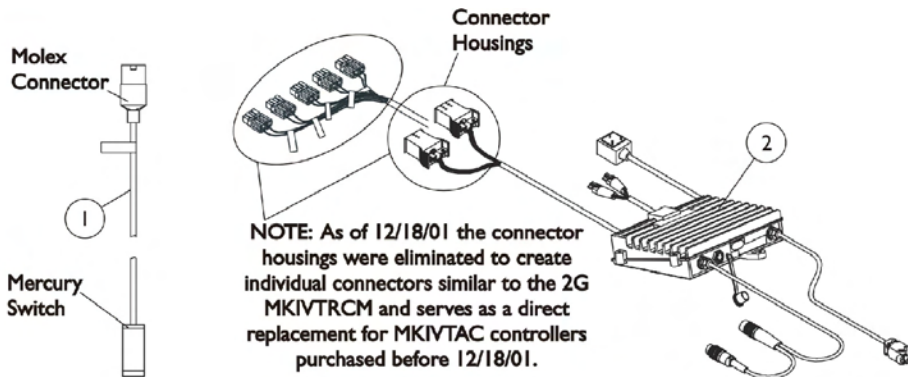
For Power Elevating Seat

NOTE: (ESS-PTO) Elevate w/ PTO was discontinued 10/16/06. After 10/15/06, refer to the Formula CG Powered Seating System Parts Catalog Form #06-106 for Elevate components on a 3G Storm Series.

Item Number	Note	Part Number	Description	Quantity Per	
				Package	Assembly
1	E	1104248	MKIV TAC Controller and Hardware	1	1
2	F	1098915-NLA	MKIV TAC Controller	1	1
3		1070462	Screw, Hex Head Cap w/ Patch (5/16-18 x 7/8")	1	2
4		1028769	Locknut (5/16-18)	1	1
5		1080116	Switch, 4-Way (FWT)	1	1
6	C	1077519	Kit, 4-Way Switch Joystick Tube Mounting Hardware	1	1
7			Half Clamp, Threaded Holes	1	1
8			Half Clamp, Non-Threaded Holes	1	1
9			Bracket, Mounting Joystick	1	1
10			Screw, Hex Head (1/4-20 x 1-1/8")	1	2
11			Washer (#10 Flat)	1	2
12			Screw, Phillips Pan Head (#10-32 x 1/2")	1	2
6	D	1077520	Kit, 4-Way Switch Quad Link Mounting Hardware	1	1
9			Bracket, Quad Link Mounting	1	1
11			Washer (#10 Flat)	1	2
12			Screw, Phillips Pan Head (#10-32 x 1/2")	1	2
13			Locknut (#10-32)	1	2
14			Screw, Phillips Pan Head (#10-32 x 1-3/8")	1	2
15	A	1105715	Sensor, Proximity Switch	1	1
16	A	1080634	Harness, Drive Lockout Mercury Switch	1	1
6	G	1139418	Kit, 4-Way Switch Quad Link Mounting Hardware	1	1
17			Screw, Phillips Pan Head w/Patch (#10-32 x 7/8")	1	2
18			Screw, Phillips Pan Head (#10-32 x 1/2")	1	2
19			Washer, Nylon (#10)	1	2
20			Locknut (#10-32)	1	2
21		1134132	Bracket, 4-Way Switch Quad Link, Black - Right	1	1
21		1134133	Bracket, 4-Way Switch Quad Link, Black - Left	1	1
	B	1106544	Kit, Switch Clip with Mounting Hardware	1	1
			Bracket, Cable/Wire Mount	1	1
			Screw, Phillips Self-Tapping (#10-32 x 3/4")	1	1
			Lockwasher, External Tooth (#10)	1	1

NOTE: A - Part number 1105715 and 1080634 are present for a Power Elevating Seat with Power Tilt Only.
 B - Not Shown and includes 1 ea. part number 0062800, 1 ea. part number 0065706, 1 ea. part number 1077143
 C - Includes items 7-12
 D - Before 10/31/05 and Includes items 9 and 11-14
 E - Includes items 2-4
 F - Part number 1098915 is being sold with the hardware. See item #1 part number 1104248
 G - After 10/30/05 and includes items 17-20

MKIV TAC Controller and 4-Way Switch without Elevating Seat

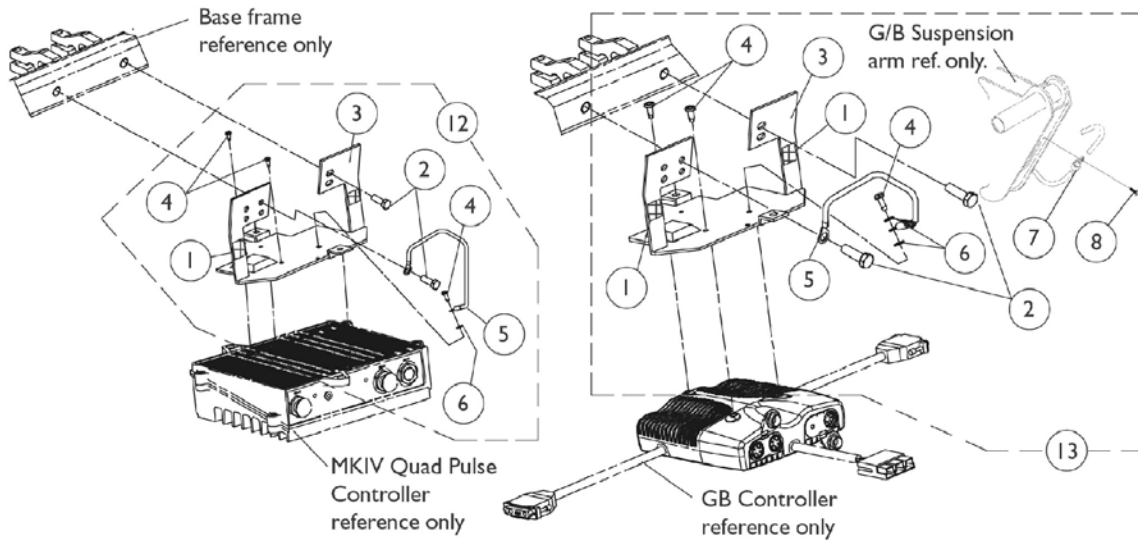


MKIV TAC Controller and 4-Way Switch without Elevating Seat

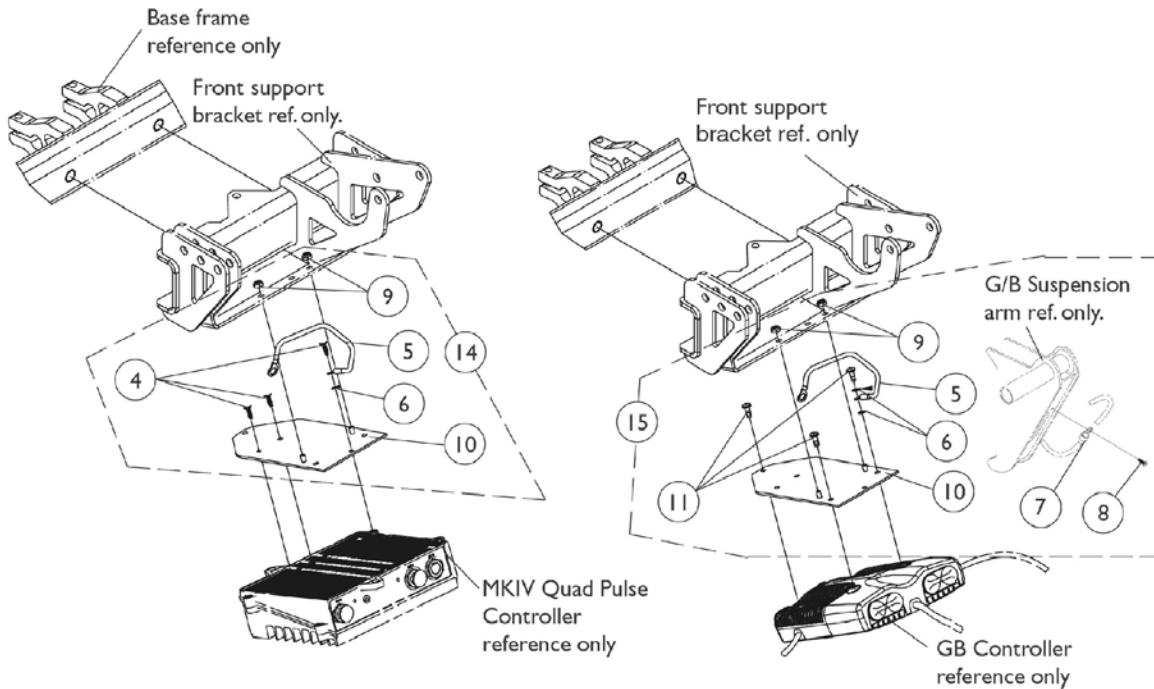
Item Number	Note	Part Number	Description	Quantity Per	
				Package	Assembly
1		1080634	Harness, Drive Lockout Mercury Switch	1	2
2		1098915-NLA	MKIV TAC Controller	1	1
3		1025736	Locknut (1/4-20)	1	2
4		1007219	Screw, Socket Head Cap (1/4-20 x 3/4")	1	2
5		1115465	Bracket, P.T.O./T.A.C. Mounting	1	1
6		1026158	Locknut (5/16-18)	1	2
7		1070462	Screw, Hex Head Cap w/ Patch (5/16-18 x 7/8")	1	2
8	A	1111050	MKIV T.A.C. Controller and Hardware	1	1
9		1080116	Switch, 4-Way (FWT)	1	1
10	C	1077519	Kit, 4-Way Switch Joystick Tube Mounting Hardware	1	1
11			Half Clamp, Threaded Holes	1	1
12			Half Clamp, Non-Threaded Holes	1	1
13			Bracket, Mounting Joystick	1	1
14			Screw, Hex Head (1/4-20 x 1-1/8")	1	2
15			Washer (#10 Flat)	1	2
16			Screw, Phillips Pan Head (#10-32 x 1/2")	1	2
10	B	1077520	Kit, 4-Way Switch Quad Link Mounting Hardware	1	1
13			Bracket, Quad Link Mounting	1	1
15			Washer (#10 Flat)	1	2
16			Screw, Phillips Pan Head (#10-32 x 1/2")	1	2
17			Locknut (#10-32)	1	2
18			Screw, Phillips Pan Head (#10-32 x 1-3/8")	1	2
10	F	1139418	Kit, 4-Way Switch Quad Link Mounting Hardware	1	1
19			Screw, Phillips Pan Head w/Patch (#10-32 x 7/8")	1	2
20			Screw, Phillips Pan Head (#10-32 x 1/2")	1	2
21			Washer, Nylon (#10)	1	2
22			Locknut (#10-32)	1	2
23		1134132	Bracket, 4-Way Switch Quad Link, Black - Right	1	1
23		1134133	Bracket, 4-Way Switch Quad Link, Black - Left	1	1
18	D	1026107	Screw, Phillips Pan Head (#10-32 x 1-3/8")	1	2
		1106544	Kit, Switch Clip with Mounting Hardware	1	1
			Bracket, Cable/Wire Mount	1	1
			Screw, Phillips Self-Tapping (#10-32 x 3/4")	1	1
			Lockwasher, External Tooth (#10)	1	1

NOTE: A - Includes items 2-7
B - Before 11/31/05 and Includes items 13 and 15-18
C - Includes items 11-16
D - Not Shown and includes 1 ea. part number 0062800, 1 ea. 0065706, 1 ea. 1077143
F - After 10/30/05 and includes items 19-22

MKIV Quad Pulse and GB Controller Mounting Hardware



Controller Mounting Hardware used when a Power Tilt Only **and** Power Elevating Seat are present



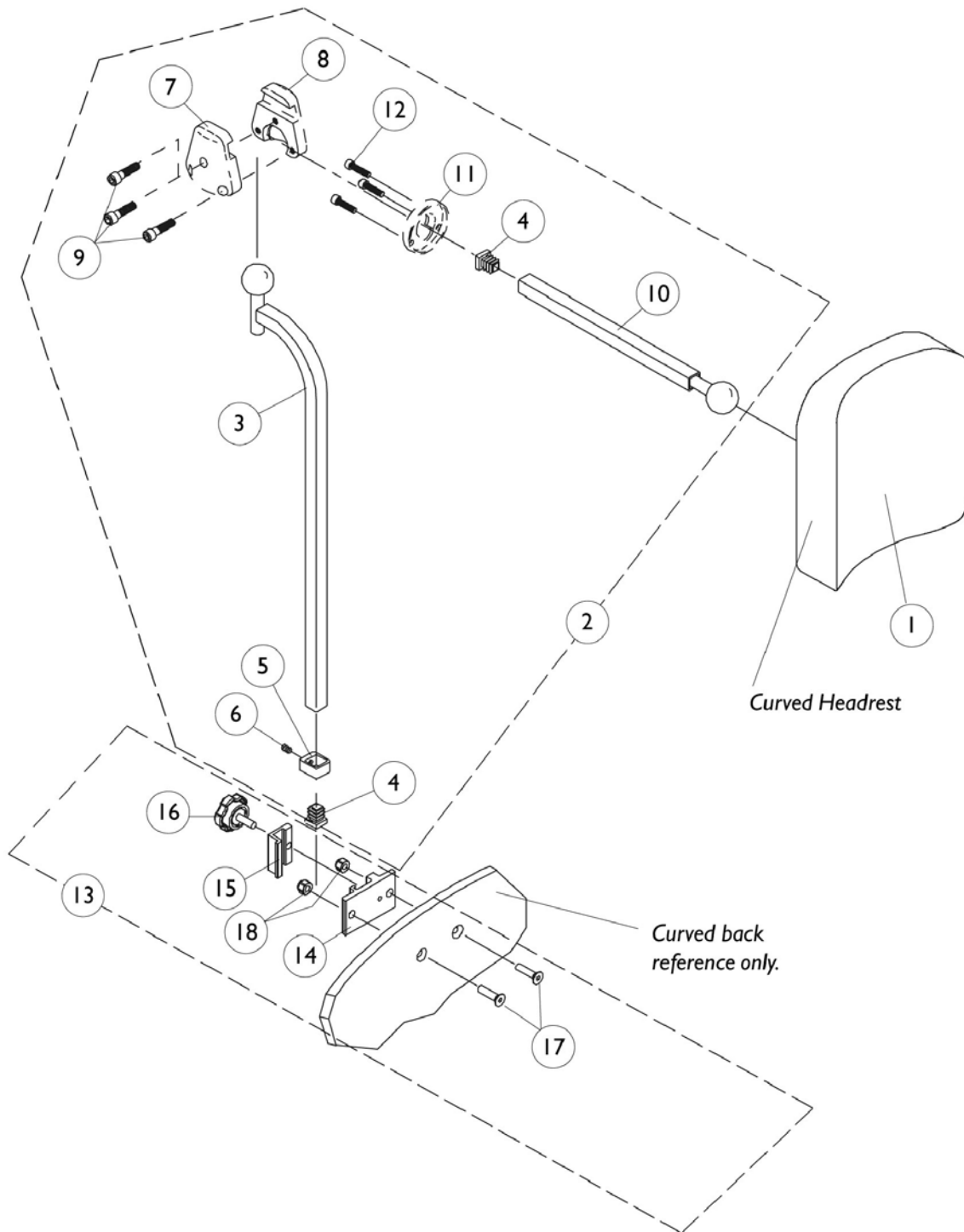
Controller Mounting Hardware used when a Power Tilt Only is present **without** a Power Elevating Seat

MKIV Quad Pulse and GB Controller Mounting Hardware

Item Number	Note	Part Number	Description	Quantity Per	
				Package	Assembly
1		1070504	Fastener, Hook with Adhesive Back (1" x 1")	1	2
2		1104258	Screw, Hex Head Cap w/ Patch (5/16-18 x 1")	1	2
3		1092659	Bracket with Fastener Strips, Controller Mounting	1	1
4		1040223	Screw (#8-32 x 1/2")	1	3
5		1104260	Wire, Grounding Jumper Strap E.S.D.	1	1
6		1027263	Washer, Lock Tooth (3/16 x 3/8 x 1/32")	1	1
7		1079245	Clamp, Cable	1	2
8		1028755	Screw, Phillips Pan Head (#10-32 x 5/8")	1	2
9		1025735	Locknut (#10-32)	1	2
10		1087790	Bracket, Controller Mounting	1	1
11		40163X002	Screw, Phillips Round Head (#10-32 x 1/2")	1	3
12	A	1092650	Controller Mounting Bracket with Hardware	1	1
13	B	1092651	Controller Mounting Bracket with Hardware	1	1
14	C	1107312	Controller Mounting Bracket with Hardware	1	1
15	D	1107311	Controller Mounting Bracket with Hardware	1	1
NOTE: A - Includes items 1-6 B - Includes items 1-8 C - Includes items 4-6, 9 and 10 D - Includes items 5-11					

Headrest Support Assembly

A.B.S. Curved Back

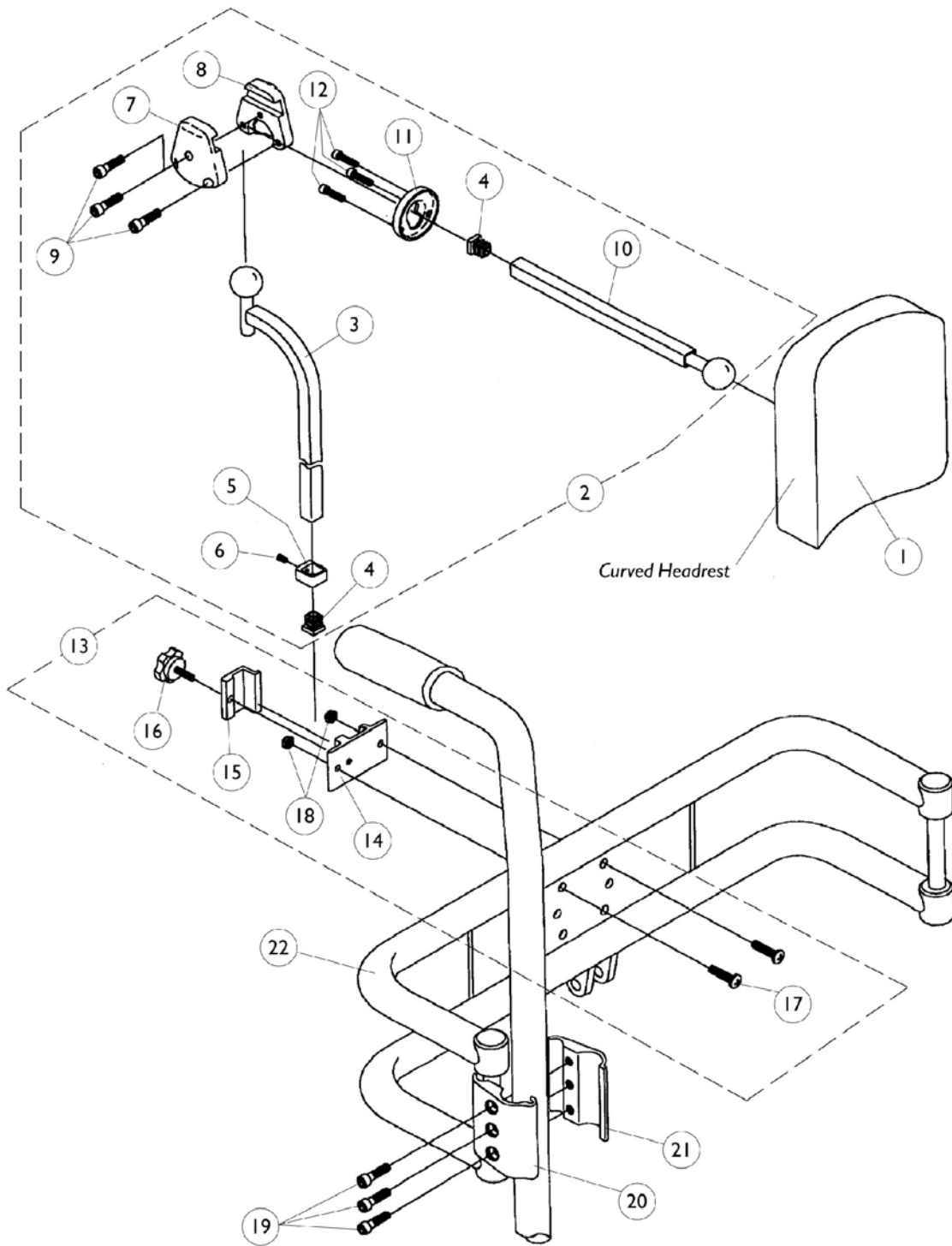


Headrest Support Assembly A.B.S. Curved Back

Item Number	Note	Part Number	Description	Quantity Per	
				Package	Assembly
1		0127700	Headrest, Curved (6"W x 7"H)	1	1
2		0197024	Fixture Assembly, Offset Support	1	1
3		0271524	Tube, Offset Fixture	1	1
4		1077076	Plug Button, Square (1/2")	1	2
5		0271124	Collar, Offset Fixture Tube	1	1
6		0288606	Set Screw, Socket Head (#10-24 x 3/16")	1	1
7		0271224	Half Clamp, Non-Threaded Holes	1	1
8		0271324	Half Clamp, Threaded Holes	1	1
9		1027268	Screw, Allen Head (1/4-20 x 1")	1	3
10		0271424	Tube, Fixture Adjustment	1	1
11		0283724	Ring, Fixture Clamp	1	1
12		0067006	Screw, Socket Head (#10-32 x 1/2")	1	3
13	A	0273100	Kit, Headrest Clamp	1	1
14	A,B	0237422-NLA	Clamp, Small Bottom Half	1	1
15	A,B	0237522-NLA	Clamp, Small Top Half	1	1
16		1072439	Knob, Adjustment (1-3/8" Dia., 3/4" Long Threads)	1	1
17		0288706	Screw, Socket Head (1/4-20 x 1")	1	2
18		7930333	Locknut (1/4-20)	25	2
NOTE: A - Curved Backs B - Clamp is no longer available individually. See item 13 Clamp Assembly part number 0273100					

Headrest Support Assembly

(For 14"-22" Wide ASBA and 16"-22" Wide ADJASBA Seats w/ Back Post Only Option)



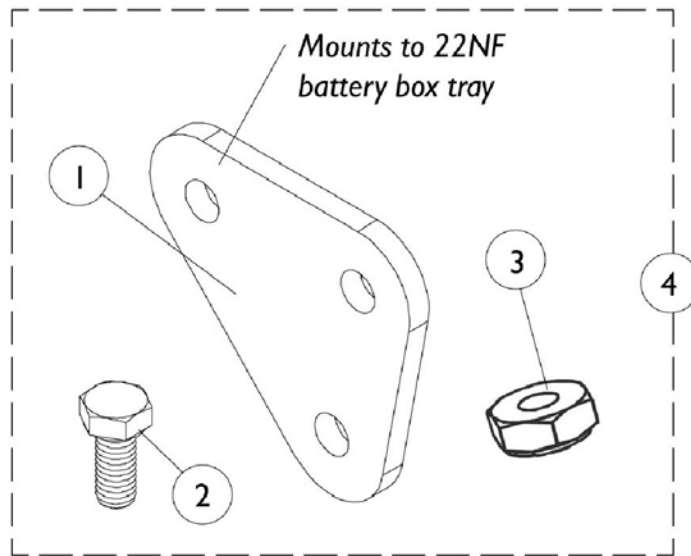
Headrest Support Assembly

(For 14"-22" Wide ASBA and 16"-22" Wide ADJASBA Seats w/ Back Post Only Option)

Item Number	Note	Part Number	Description	Quantity Per	
				Package	Assembly
1		0127700	Headrest, Curved (6"W x 7"H)	1	1
2		0197024	Fixture Assembly, Offset Support	1	1
3		0271524	Tube, Offset Fixture	1	1
4		1077076	Plug Button, Square (1/2")	1	2
5		0271124	Collar, Offset Fixture Tube	1	1
6		0288606	Set Screw, Socket Head (#10-24 x 3/16")	1	1
7		0271224	Half Clamp, Non-Threaded Holes	1	1
8		0271324	Half Clamp, Threaded Holes	1	1
9		1027268	Screw, Allen Head (1/4-20 x 1")	1	3
10		0271424	Tube, Fixture Adjustment	1	1
11		0283724	Ring, Fixture Clamp	1	1
12		0067006	Screw, Socket Head (#10-32 x 1/2")	1	1
13	A	0273100	Kit, Headrest Clamp	1	1
14	B	0237422-NLA	Clamp, Small Bottom Half	1	1
15	B	0237522-NLA	Clamp, Small Top Half	1	1
16		1072439	Knob, Adjustment (1-3/8" Dia., 3/4" Long Threads)	1	1
17		0052906	Screw, Socket Button Head (1/4-20 x 3/4")	1	2
18		1025736	Locknut (1/4-20)	1	2
19		0068706	Screw, Socket Head (1/4-20 x 5/8")	1	6
20		0190822	Half Clamp, Threaded Holes (7/8" Dia. Back Canes)	1	2
21		0190722	Half Clamp, Un-Threaded Holes (7/8" Dia. Back Canes)	1	2
22		0013402	Bar, Push, Black (14" Wide)	1	1
22		0013502	Bar, Push, Black (15" Wide)	1	1
22		0013602	Bar, Push, Black (16" Wide)	1	1
22		0013702	Bar, Push, Black (17" Wide)	1	1
22		0013802	Bar, Push, Black (18" Wide)	1	1
22		0013902	Bar, Push, Black (19" Wide)	1	1
22		0014002	Bar, Push, Black (20" Wide)	1	1
22		0014102	Bar, Push, Black (21" Wide)	1	1
22		0014202	Bar, Push, Black (22" Wide)	1	1

NOTE: A - Back Canes Only
B - Clamp is no longer available individually. See item 13 Clamp Assembly part number 0273100

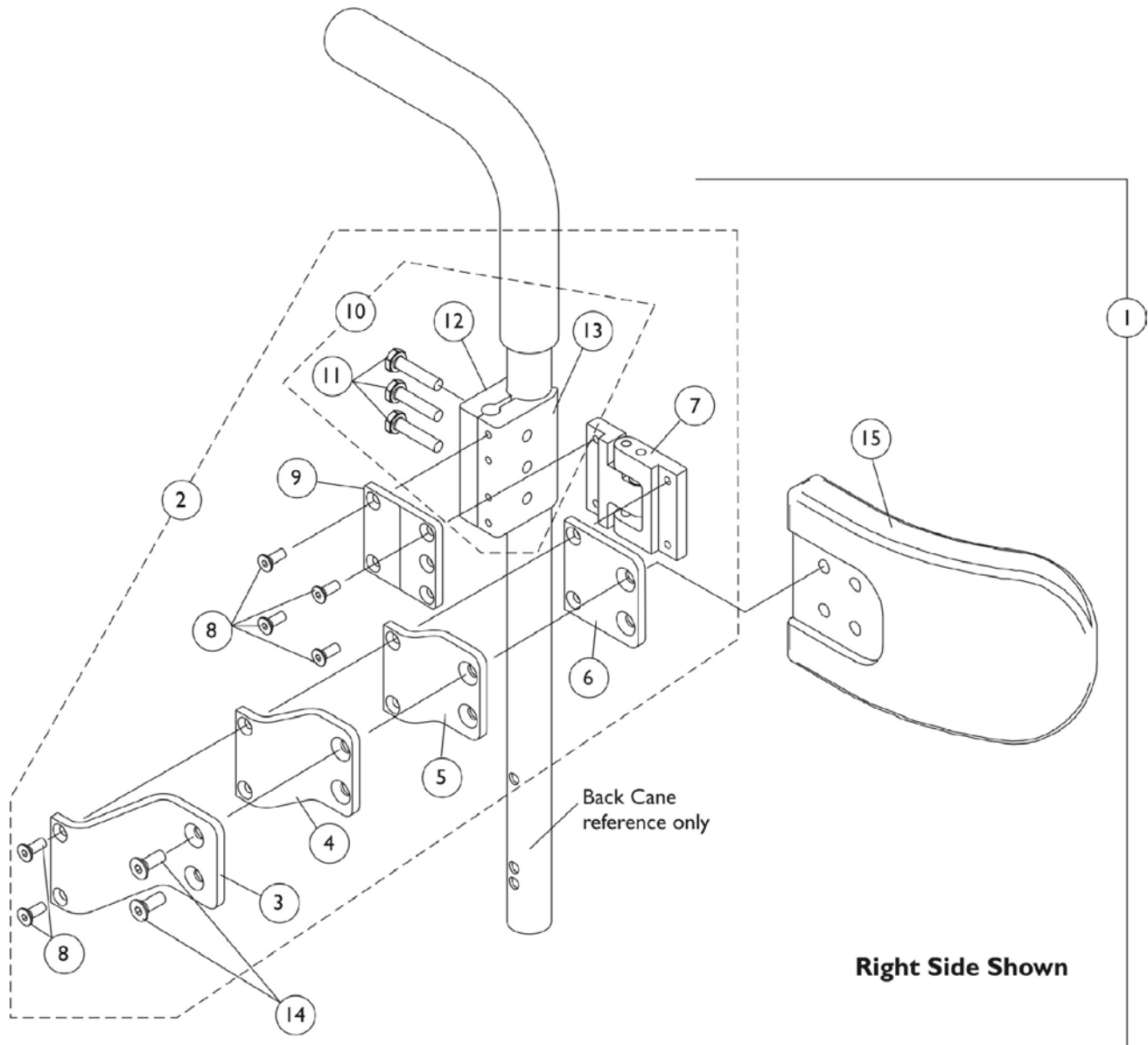
Accessory, 22NF Battery Tray Lowered Adapter Plate



Item Number	Note	Part Number	Description	Quantity Per	
				Package	Assembly
1		1087647	Adapter Plate, 22NF Battery Tray, Lowered	1	2
2		1039860	Screw, Hex Head Cap with Patch (5/16-18 x 3/4")	1	2
3		1028769	Locknut (5/16-18)	1	2
4	A	1087788	Hardware, Plate Adapter 22NF Battery Tray Lowered	1	1

NOTE: A - Includes items 1-3

Lateral Support Assembly Tarsys



Lateral Support Assembly Tarsys

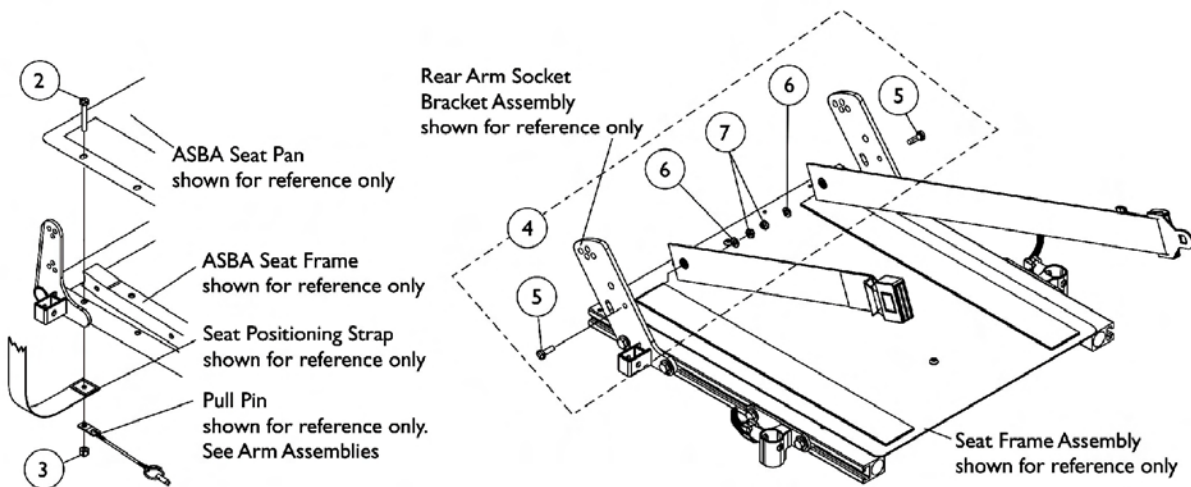
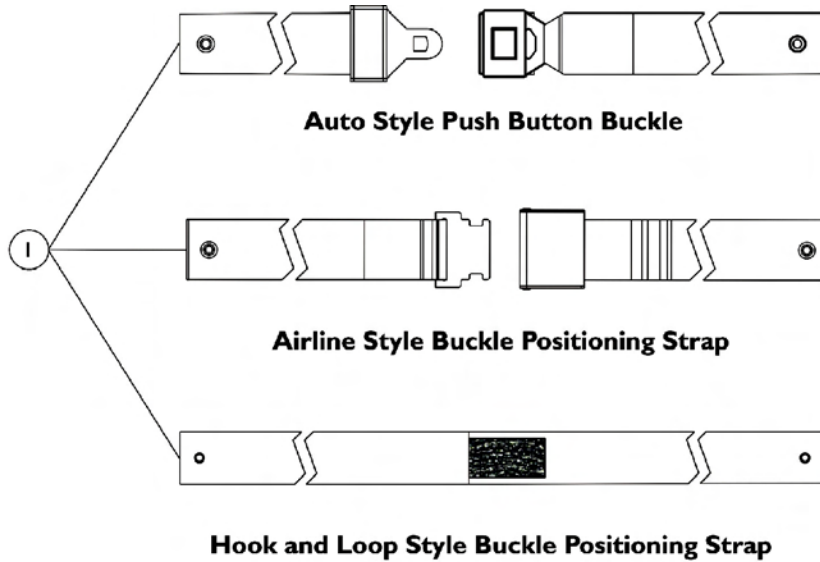
Item Number	Note	Part Number	Description	Quantity Per	
				Package	Assembly
1	A	1107298	Kit, Swingaway Lateral Support Assemblies w/ Medium Pads (Pair)	1	1
3			Bracket, Extension Offset, Black (2")	1	2
4			Bracket, Extension Offset, Black (1")	1	2
5			Bracket, Extension Offset, Black (1/2")	1	2
6			Bracket, Flush Mount	1	2
7			Bracket, Swingaway, Cane Clamp - Right	1	1
7			Bracket, Swingaway, Cane Clamp - Left	1	1
8			Screw, Socket Flat Head C'Sunk (#10-32 x 1/2")	1	12
9			Bracket, Mounting	1	2
11			Screw, Hex Head (1/4-20 x 1-1/8")	1	6
12			Half Clamp, Non-Threaded Holes	1	2
13			Half Clamp, Threaded Holes	1	2
14			Screw, Socket Flat Head C'Sunk (1/4-20 x 1/2")	1	4
15			Pad, Lateral Support, Medium (6" Wide x 4" High)	1	2
1	A	1107299	Kit, Swingaway Lateral Support Assemblies w/ Large Pads (Pair)	1	1
3			Bracket, Extension Offset, Black (2")	1	2
4			Bracket, Extension Offset, Black (1")	1	2
5			Bracket, Extension Offset, Black (1/2")	1	2
6			Bracket, Flush Mount	1	2
7			Bracket, Swingaway, Cane Clamp - Right	1	1
7			Bracket, Swingaway, Cane Clamp - Left	1	1
8			Screw, Socket Flat Head C'Sunk (#10-32 x 1/2")	1	12
9			Bracket, Mounting	1	2
11			Screw, Hex Head (1/4-20 x 1-1/8")	1	6
12			Half Clamp, Non-Threaded Holes	1	2
13			Half Clamp, Threaded Holes	1	2
14			Screw, Socket Flat Head C'Sunk (1/4-20 x 1/2")	1	4
15			Pad, Lateral Support, Large (6" Wide x 5" High)	1	2
2	B	1107245	Kit, Swingaway Bracket Assembly with Offset Brackets, Cane Clamp - Right	1	1
3			Bracket, Extension Offset, Black (2")	1	1
4			Bracket, Extension Offset, Black (1")	1	1
5			Bracket, Extension Offset, Black (1/2")	1	1
6			Bracket, Flush Mount	1	1
7			Bracket, Swingaway, Cane Clamp - Right	1	1
8			Screw, Socket Flat Head C'Sunk (#10-32 x 1/2")	1	6
9			Bracket, Mounting	1	1
11			Screw, Hex Head (1/4-20 x 1-1/8")	1	3
12			Half Clamp, Non-Threaded Holes	1	1
13			Half Clamp, Threaded Holes	1	1
2	B	1107246	Kit, Swingaway Bracket Assembly with Offset Brackets, Cane Clamp - Left	1	1

Lateral Support Assembly Tarsys

Item Number	Note	Part Number	Description	Quantity Per	
				Package	Assembly
3			Bracket, Extension Offset, Black (2")	1	1
4			Bracket, Extension Offset, Black (1")	1	1
5			Bracket, Extension Offset, Black (1/2")	1	1
6			Bracket, Flush Mount	1	1
7			Bracket, Swingaway, Cane Clamp - Left	1	1
8			Screw, Socket Flat Head C'Sunk (#10-32 x 1/2")	1	6
9			Bracket, Mounting	1	1
11			Screw, Hex Head (1/4-20 x 1-1/8")	1	3
12			Half Clamp, Non-Threaded Holes	1	1
13			Half Clamp, Threaded Holes	1	1
10	C	1107117	Kit, Lateral Support Mounting Hardware	1	1
11			Screw, Hex Head (1/4-20 x 1-1/8")	1	3
12			Half Clamp, Non-Threaded Holes	1	1
13			Half Clamp, Threaded Holes	1	1
NOTE: A - Includes items 3-9 and 11-15 B - Includes items 3-9 and 11-13 C - Includes items 11-13					

Seat/Chest Positioning Straps

NOTE: Chest Positioning Straps share the same hardware that attaches an ABS Curved Back Assembly



Seat Positioning Strap Mounting Hardware (For ASBA Seating)

Seat Positioning Strap Mounting Hardware (For ADJASBA Seating)

Seat/Chest Positioning Straps

NOTE: Chest Positioning Straps share the same hardware that attaches an ABS Curved Back Assembly Positioning Straps

Description	12"-15" Wide	16"-19" Wide	20"-22" Wide
Auto Style Push Button	1036527 Positioning Strap, Seat/Chest w/ Auto Style Buckle (Eyelet to Eyelet Length 33") See Note(s) A	1004310 Positioning Strap, Seat/Chest w/ Auto Style Push Button Buckle (Eyelet to Eyelet Length 48")	1034625 Positioning Strap, Seat/Chest w/ Auto Style Push Button Buckle (Eyelet to Eyelet Length 61")
Airline Style	N/A	1034625. 0	1034752 Positioning Strap, Seat/Chest w/ Airline Style Buckle (Eyelet to Eyelet Length 61")
Hook and Loop See Note(s) B	N/A	1034745 Positioning Strap, Seat/Chest w/ Hook and Loop Style Buckle (Eyelet to Eyelet Length 61")	1034745 Positioning Strap, Seat/Chest w/ Hook and Loop Style Buckle (Eyelet to Eyelet Length 61") See Note(s) B
NOTE: A - 12"-15" wide positioning straps come in rainbow color. B - Hook and Loop style positioning strap for power chairs is used for chest positioning only			

Item Number	Note	Part Number	Description	Quantity Per	
				Package	Assembly
1		See Chart	#1 Positioning Straps	1	1
2		1037610	Screw, Hex Head (1/4-20 x 1-5/8")	1	2
3		1025736	Locknut (1/4-20)	1	2
4		1124385	Kit, Seat Positioning Strap Mounting Hardware (both LT & RT sides)	1	1
5			Screw, Hex Head (1/4-20 x 3/4")	1	2
6			Washer (1/4 x 1/2 x 1/16")	1	2
7			Locknut (1/4-20)	1	2

Power Wheelchair Tool Kit

1



Multimeter with Leads



Grounding Wire



1" Test Leads



Protractor/Angle Locator



Invacare Pen Light



Invacare Tape Measure



Invacare Phillips/Flat Head Screwdriver



MKIV Programmer



Virtual Service Charger Cable

Power Wheelchair Tool Kit

Item Number	Note	Part Number	Description	Quantity Per	
				Package	Assembly
1		1125222	Kit, Power Wheelchair Tool Includes: 1 ea. Multimeter with Leads 1 ea. Locator, Protractor/Angle Magnetic Base 1 ea. Instructions, MKIV Programmer 1 ea. Wire, Grounding with Hand Strap and Clip 1 ea. Leads, 1" Test 1 ea. Light, Pen with Invacare Logo 1 ea. Tape Measure, Compact with Invacare Logo 1 ea. Screwdriver, Pen-Size Phillips/Flat Head 1 ea. Cable, Virtual Service Charger/Modem	1	1

Invacare Corporation

www.invacare.com



Yes, you can.™

One Invacare Way
Elyria, Oh USA
44036-2125
800-333-6900

Technical Support
800-832-4707
Florida Technical Support
407-321-5630

Customer Service
800-333-6900

©2008 Invacare Corporation. Elyria, Ohio.
All rights reserved. Trademarks are
identified by the symbols™ and®. All
trademarks are owned by or licensed to
Invacare Corporation unless otherwise
noted. (Revised 5/27/08)

Form No. 01-038